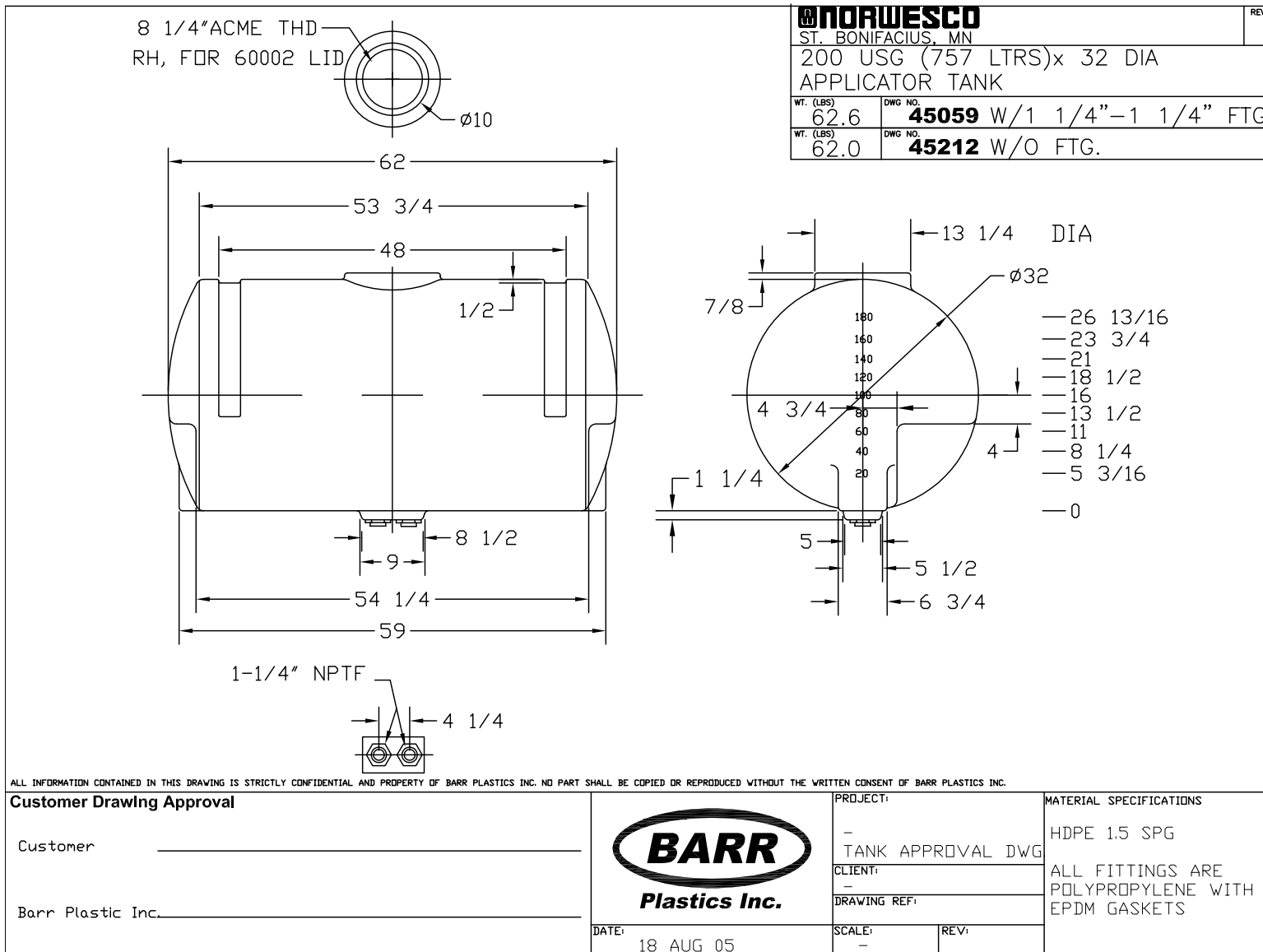




if it flows,  
we go with it

1.800.665.4499  
barrplastics.com



H:\BPT SALES DWG\TANKS Norwesco\_Snyder\_Ace\Norwesco\Appliator Tanks\200X32.DWG