

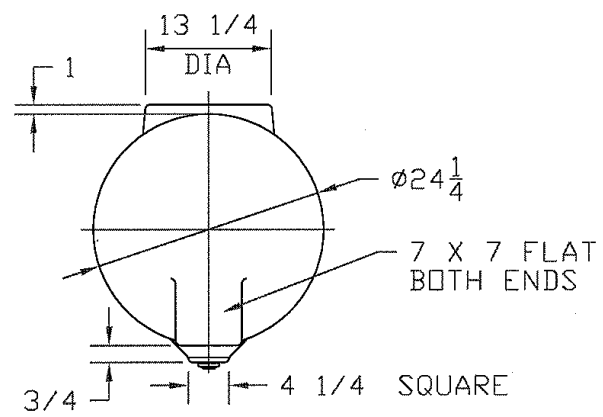
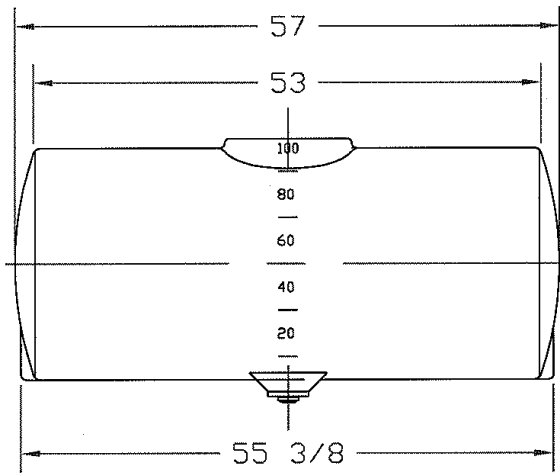
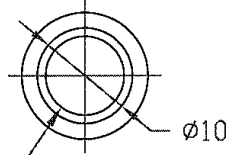


if it flows,  
we go with it

1.800.665.4499  
barrplastics.com

REVISIONS				
ZONE	REV	DESCRIPTION	DATE	APPROVED
	A	LID REVISED	24MAR03	

8 1/4 ACME THD,  
RH, FOR 60002 LID



		<b>NORWESCO</b>		
		ST. BONIFACIUS, MN		
		100 GALLON APPLICATOR TANK		
JTP	8MAR96	SIZE A	FSCM NO.	DWG NO. 60204
		SCALE 1/16	SHEET	