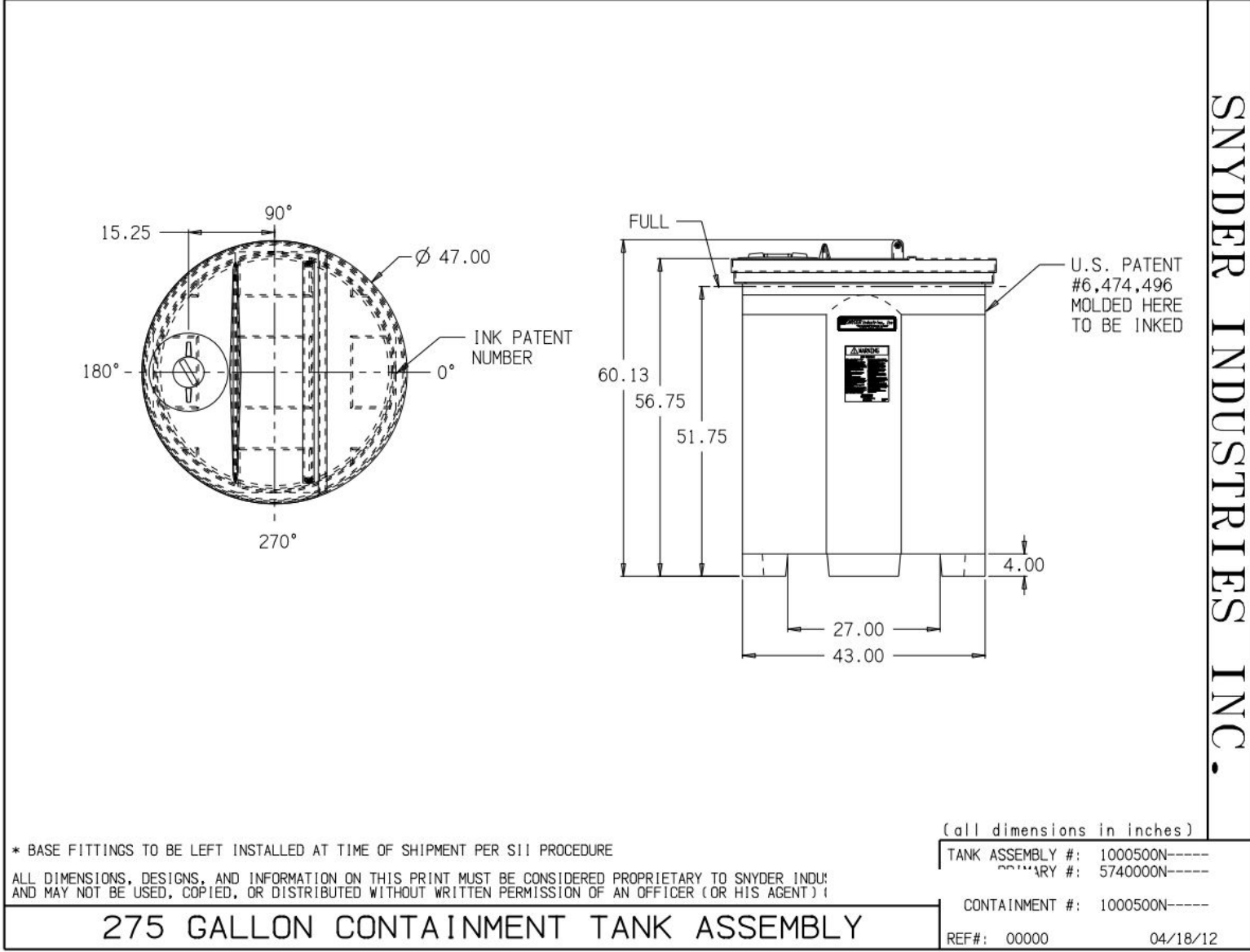




if it flows,
we go with it

1.800.665.4499
barrplastics.com



* BASE FITTINGS TO BE LEFT INSTALLED AT TIME OF SHIPMENT PER S11 PROCEDURE

ALL DIMENSIONS, DESIGNS, AND INFORMATION ON THIS PRINT MUST BE CONSIDERED PROPRIETARY TO SNYDER INDUSTRIES INC. AND MAY NOT BE USED, COPIED, OR DISTRIBUTED WITHOUT WRITTEN PERMISSION OF AN OFFICER (OR HIS AGENT) AT SNYDER INDUSTRIES INC.

(all dimensions in inches)

TANK ASSEMBLY #: 1000500N-----
CONTAINER #: 5740000N-----

CONTAINMENT #: 1000500N-----

REF#: 00000 04/18/12

275 GALLON CONTAINMENT TANK ASSEMBLY

SNYDER INDUSTRIES INC.