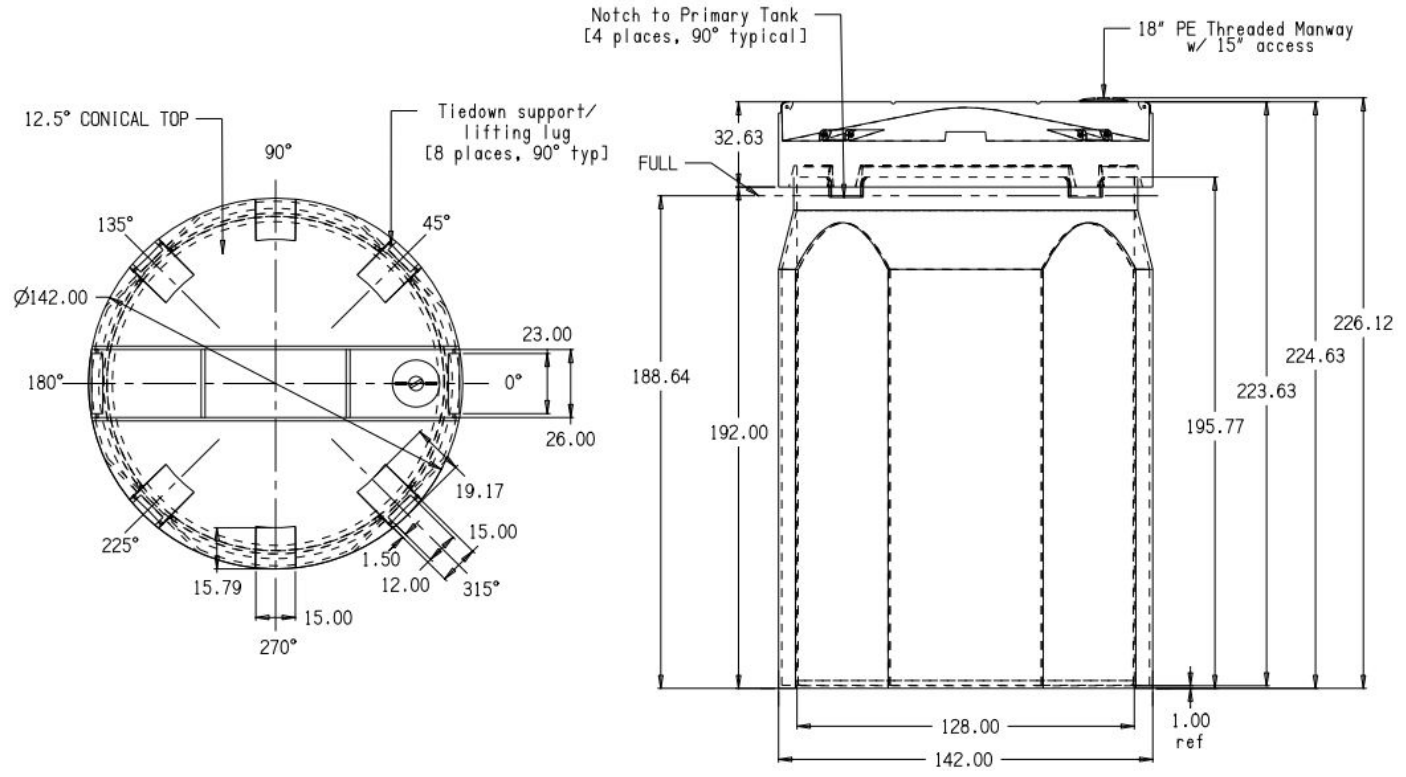




if it flows,  
we go with it

1.800.665.4499  
barrplastics.com

SNYDER INDUSTRIES INC.



\* BASE FITTINGS TO BE LEFT INSTALLED AT TIME OF SHIPMENT PER SII PROCEDURE  
 \* Consult Snyder's Guidelines for Use and Installation prior to delivery.  
 Available on-line at [www.snydernet.com](http://www.snydernet.com)

(all dimensions in inches)

PART #	PRIMARY:	1006600N
	CONTAINMENT:	1006700N
REF#:	0000	08/11/10

### 10,000 GALLON CAPTOR CONTAINMENT SYSTEM