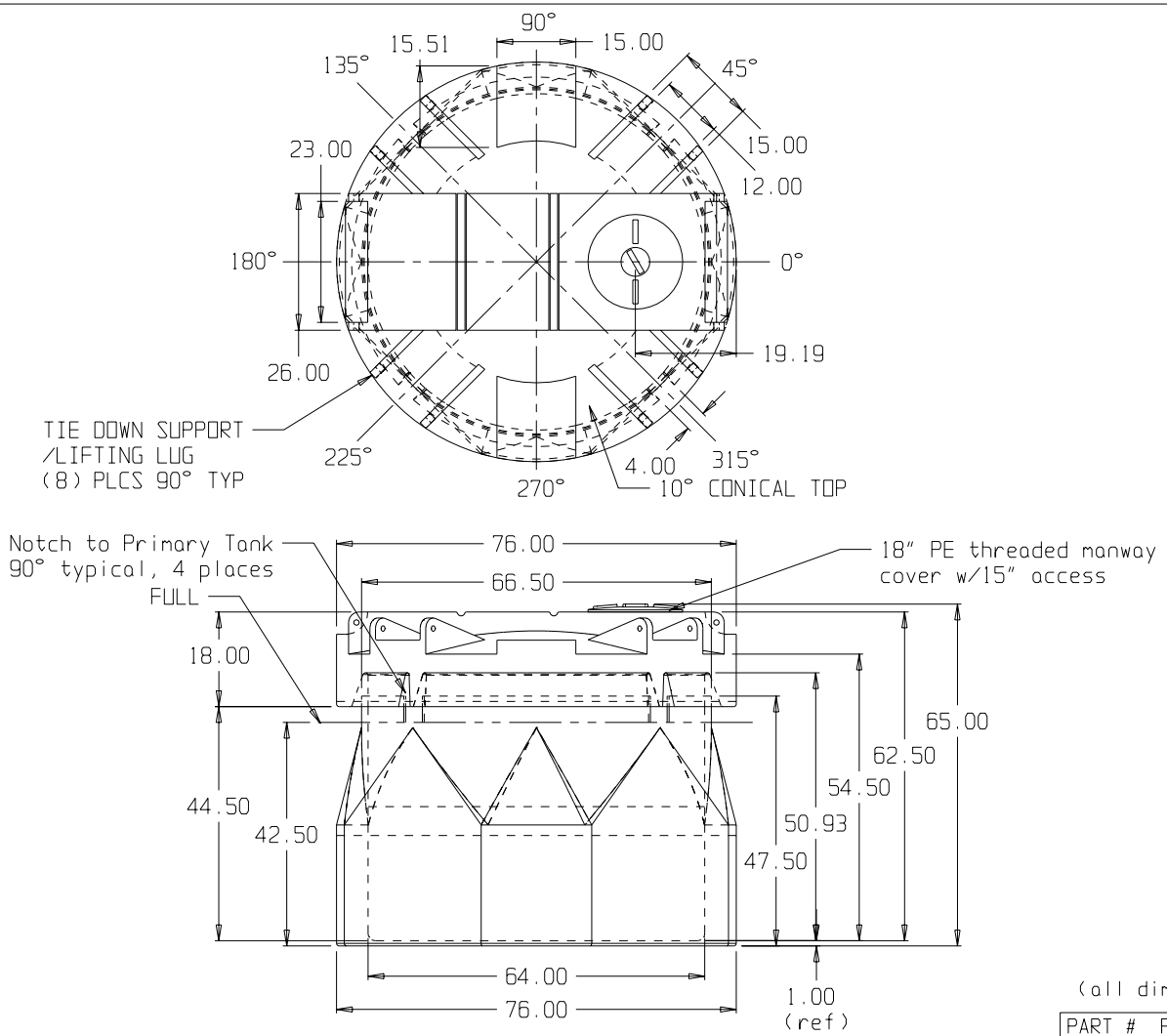




if it flows,
we go with it

1.800.665.4499
barrplastics.com

SNYDER INDUSTRIES INC.



(all dimensions in inches)

BASE FITTINGS TO BE LEFT INSTALLED AT TIME OF SHIPMENT PER SII PROCEDURE

550 GALLON CAPTOR CONTAINMENT SYSTEM

PART #	PRIMARY: 504--
	CONTAINMENT: 503--
REF#:	0000
	01/23/03