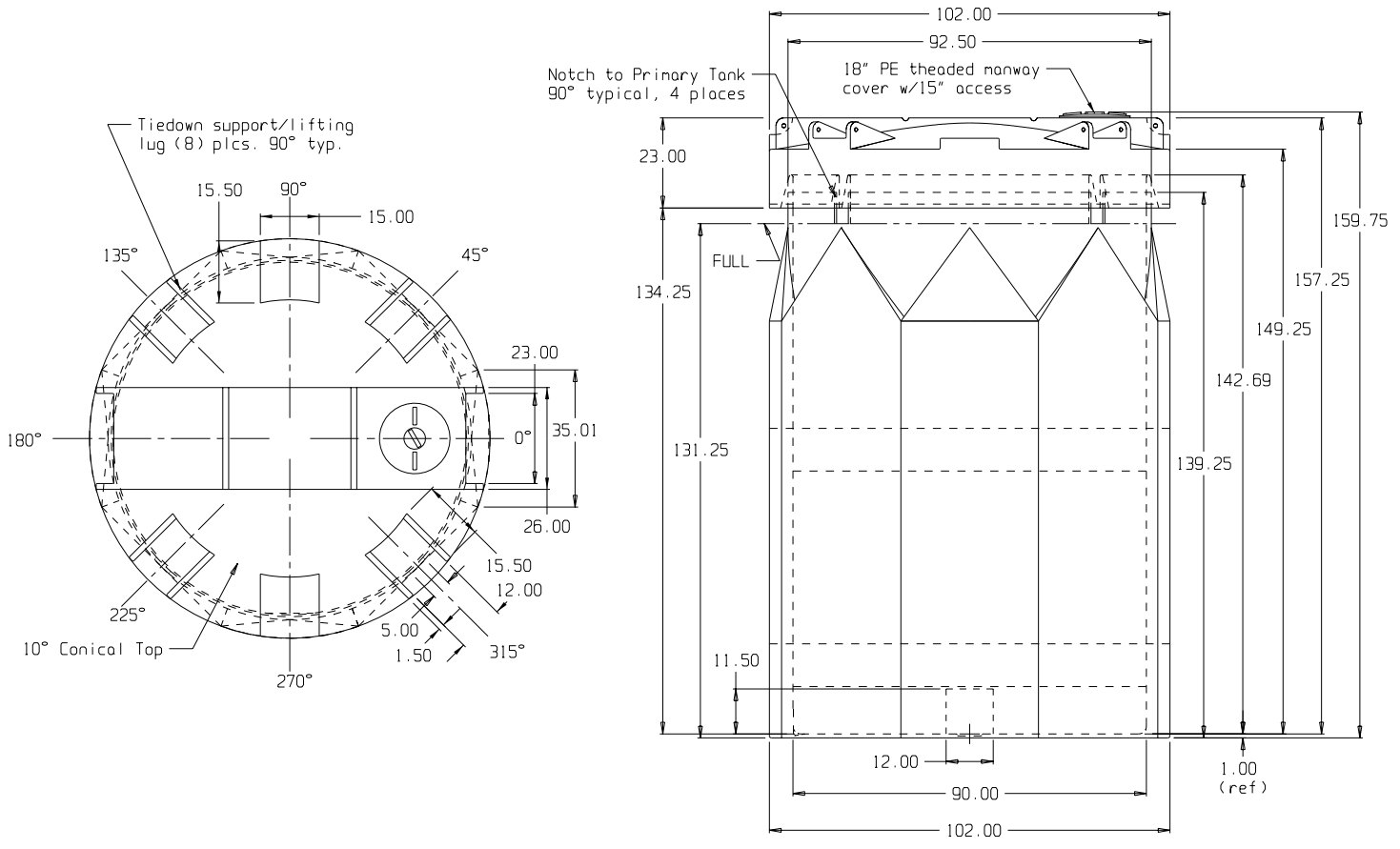




if it flows,
we go with it

1.800.665.4499
barrplastics.com

NOTE: C/L HEIGHT FOR FITTING IN UFO TRANSITION FITTING IS 10"



SNYDER INDUSTRIES INC.

(all dimensions in inches)

BASE FITTINGS TO BE LEFT INSTALLED AT TIME OF SHIPMENT PER SII PROCEDURE

3,500 GALLON CAPTOR CONTAINMENT SYSTEM

PART #	PRIMARY:	5600--
	CONTAINMENT:	5530--
REF#:	0000	09/05/02