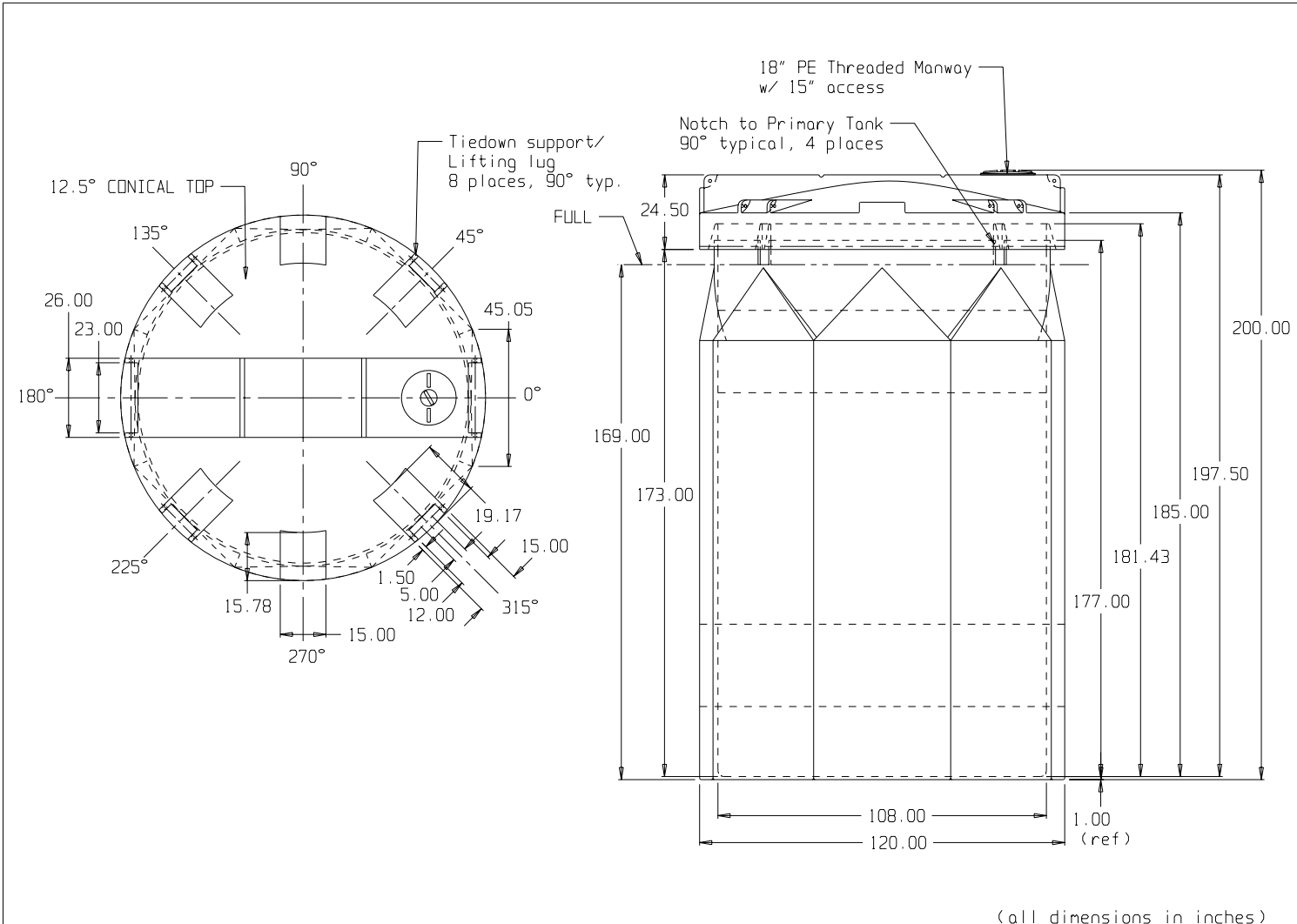




if it flows,
we go with it

1.800.665.4499
barrplastics.com



SNYDER INDUSTRIES INC.

(all dimensions in inches)

BASE FITTINGS TO BE LEFT INSTALLED AT TIME OF SHIPMENT PER Sii PROCEDURE

6,500 GALLON CAPTOR CONTAINMENT SYSTEM

PART #	PRIMARY:	5670--
	CONTAINMENT:	5650--
REF#:	0000	06/28/02