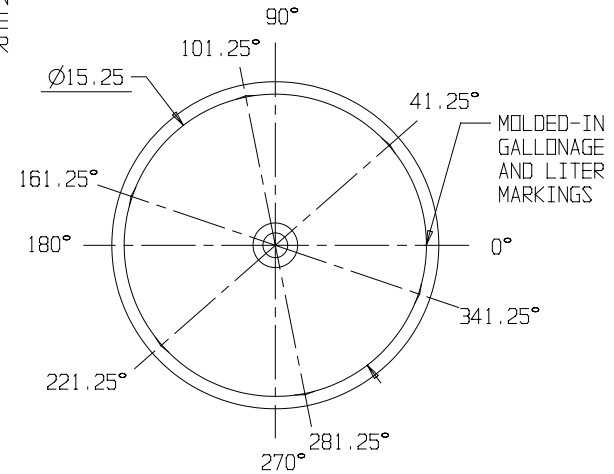
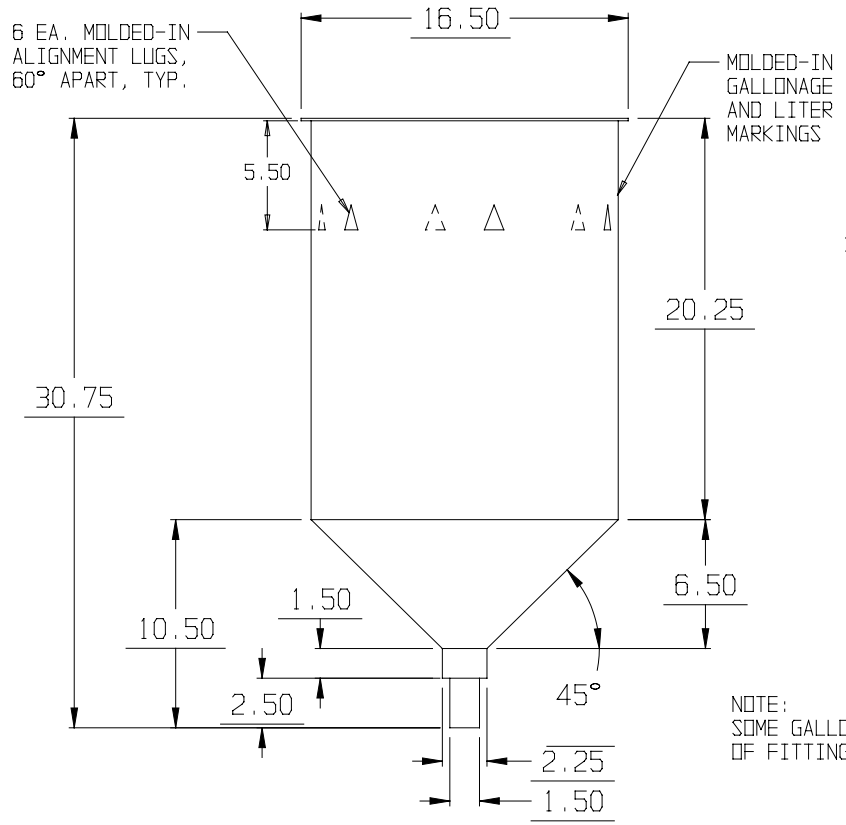




if it flows,
we go with it

1.800.665.4499
barrplastics.com

SNYDER INDUSTRIES INC.



NOTE:
SOME GALLONAGE MARKS MAY BE GROUND SMOOTH FOR PLACEMENT OF FITTING(S).

* BASE FITTINGS TO BE LEFT INSTALLED AT TIME OF SHIPMENT PER SII PROCEDURE
* Consult Snyder's Guidelines for Use and Installation prior to delivery.
Available on-line at www.snydernet.com

(all dimensions in inches)

PART # TANK: 152000N--L

REF#: 00000

09/28/04

15 GALLON PRE-MIX TANK