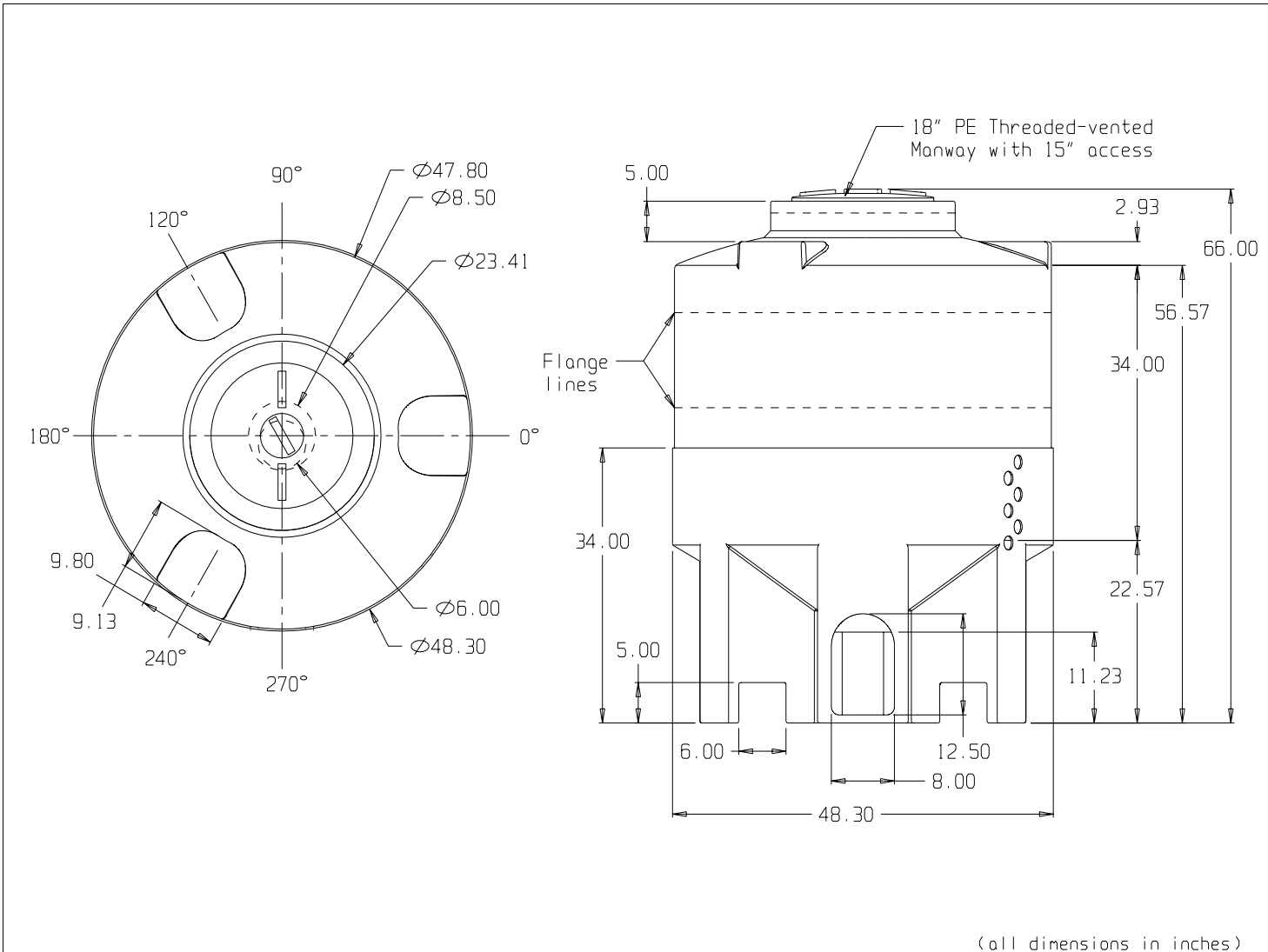




if it flows,  
we go with it

1.800.665.4499  
barrplastics.com



SNYDER INDUSTRIES INC.

BASE FITTINGS TO BE LEFT INSTALLED AT TIME OF SHIPMENT PER Sii PROCEDURE		(all dimensions in inches)	
325 GALLON 30° CONE BOTTOM TANK W/STAND		PART #	TANK: H156050000--
REF#:	0000		06/21/02