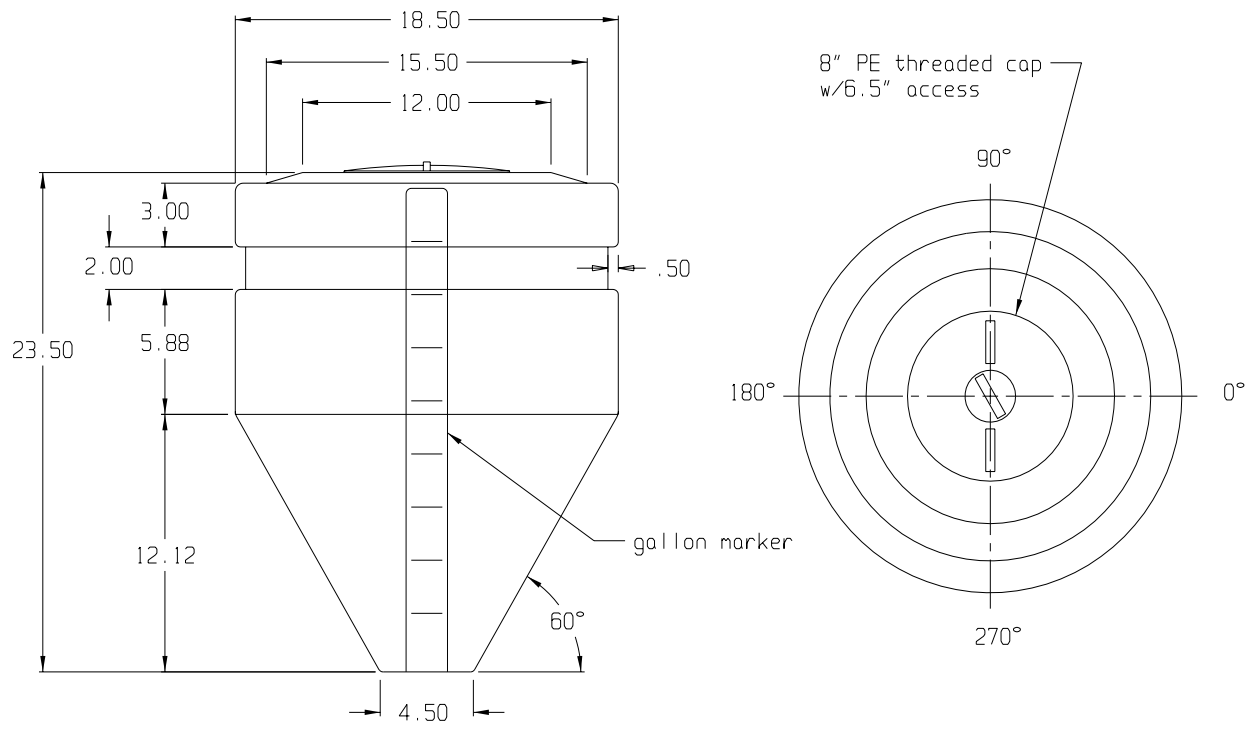




if it flows,  
we go with it

1.800.665.4499  
barrplastics.com

SNYDER INDUSTRIES INC.



ALL FITTINGS ARE INSTALLED THEN REMOVED AND REPACKAGED IN ORDER TO ELIMINATE DAMAGE IN SHIPMENT

(all dimensions in inches)

PART # TANK: 185--

17 GALLON 60° CONE BOTTOM TANK

REF#: 0000

03/23/95