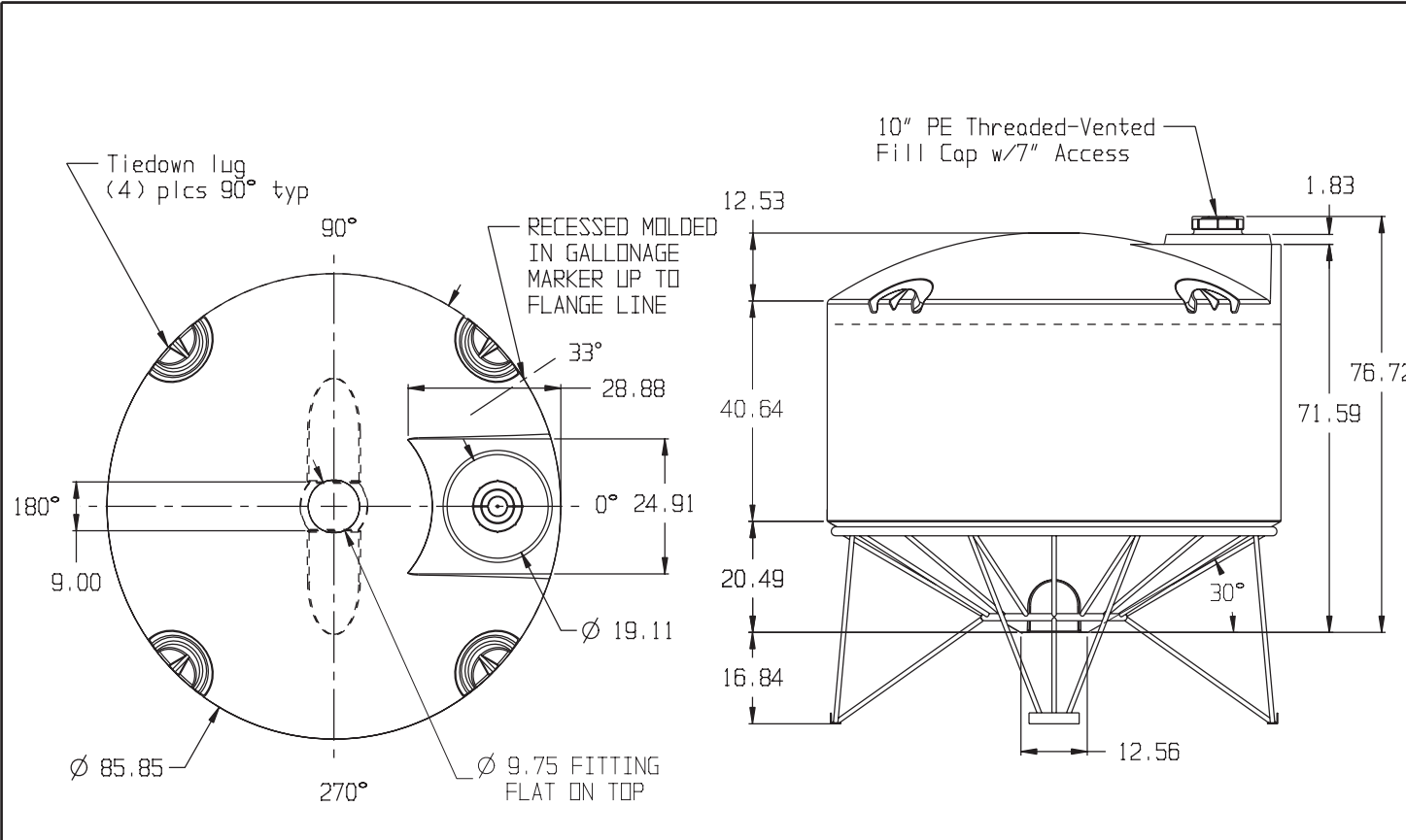




if it flows,  
we go with it

1.800.665.4499  
barrplastics.com



SNYDER INDUSTRIES INC.

\* BASE FITTINGS TO BE LEFT INSTALLED AT TIME OF SHIPMENT PER SII PROCEDURE  
 \* Consult Snyder's Guidelines for Use and Installation prior to delivery.  
 Available on-line at [www.sydernet.com](http://www.sydernet.com)

1400 GALLON 30° CONE BOTTOM TANK W/ STAND

(all dimensions in inches)

PART #S TANK:	1900000N-- (L)
STAND:	79000000
(SEISMIC)	78900000
REF#: 00000	04/20/06