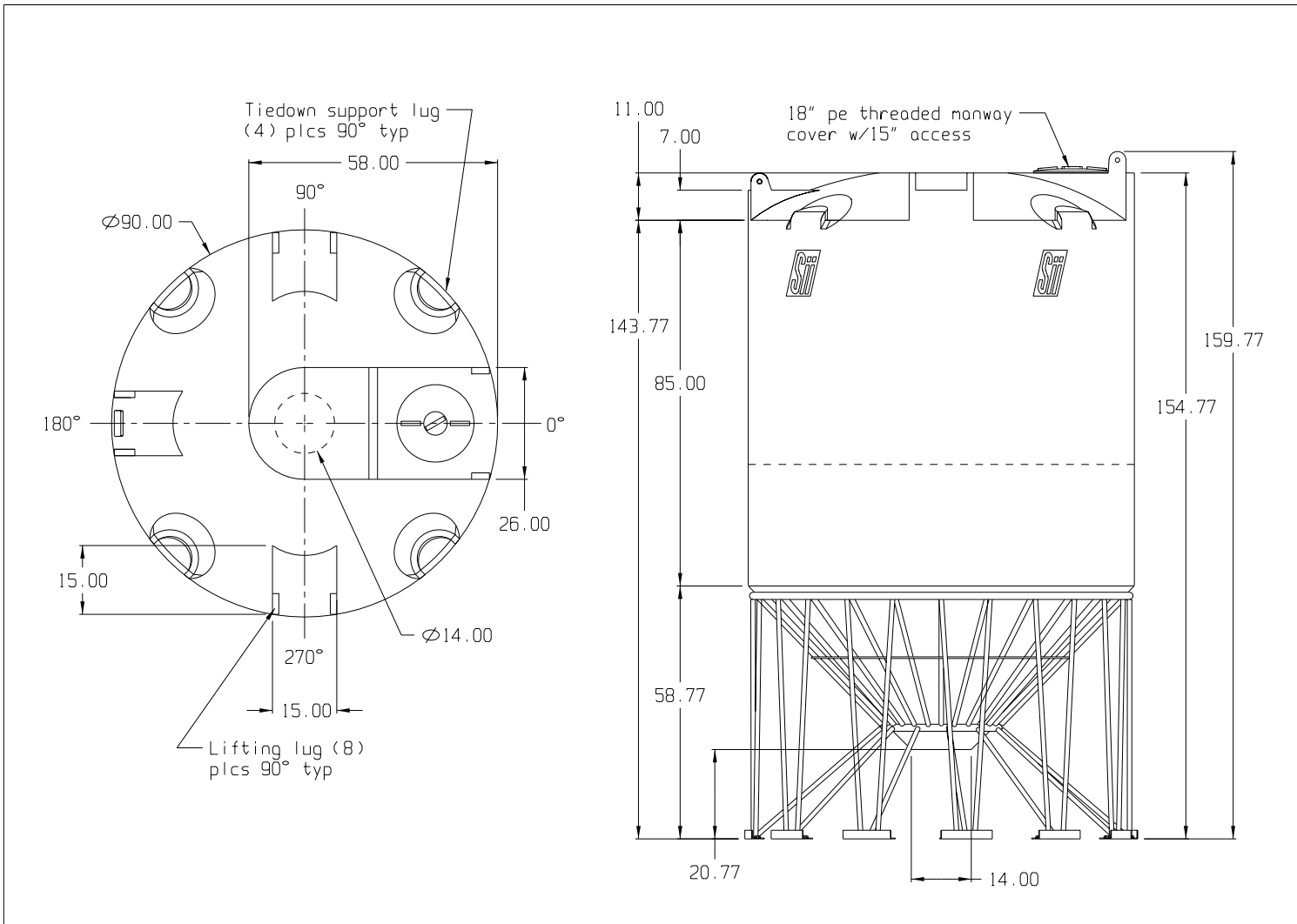




if it flows,
we go with it

1.800.665.4499
barrplastics.com



BASE FITTINGS TO BE LEFT INSTALLED AT TIME OF SHIPMENT PER SII PROCEDURE

2,600 GALLON 45° CONE BOTTOM TANK W/STAND

(all dimensions in inches)

PART #S TANK: 5100--
STAND: 79400

REF#: 0000

03/06/03

SNYDER INDUSTRIES INC.