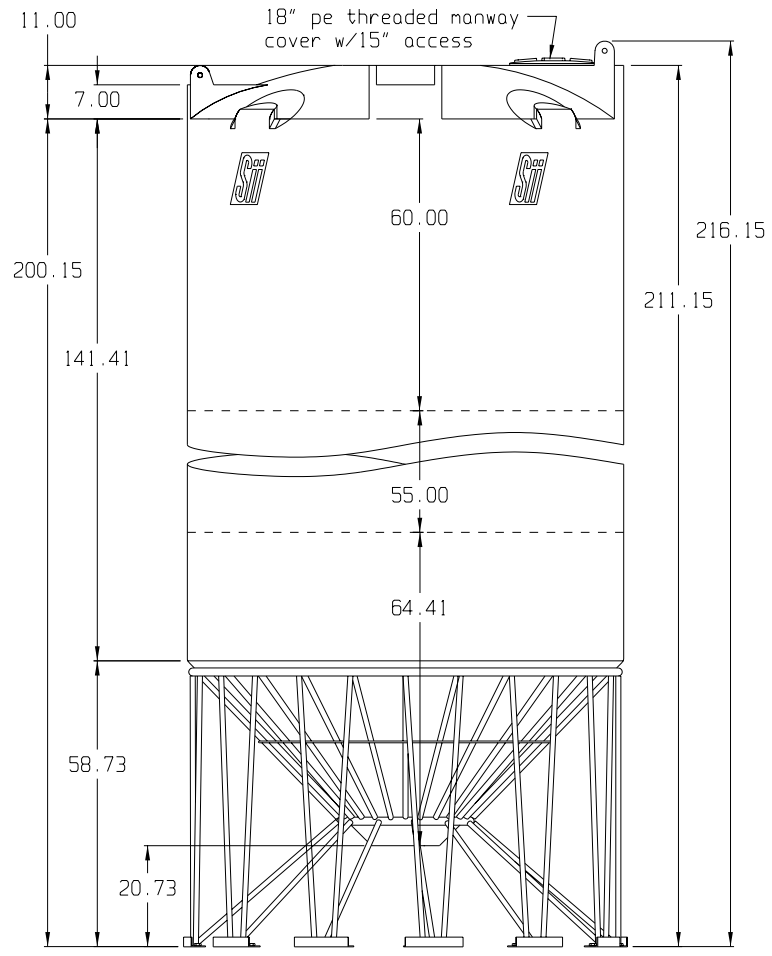
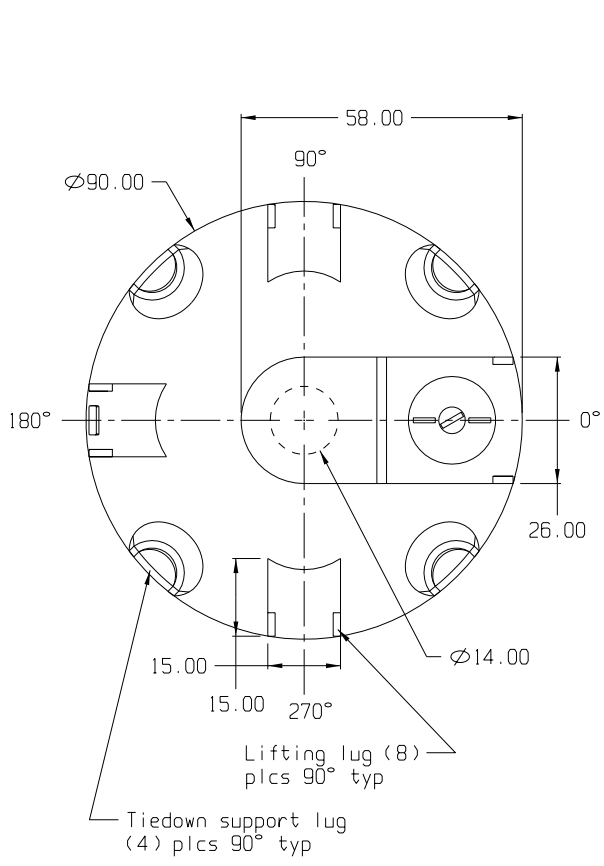




if it flows,
we go with it

1.800.665.4499
barrplastics.com



SNYDER INDUSTRIES INC.

(all dimensions in inches)

BASE FITTINGS TO BE LEFT INSTALLED AT TIME OF SHIPMENT PER SII PROCEDURE

4,100 GALLON 45° CONE BOTTOM TANK W/STAND

PART #S	TANK: 5180--
	STAND: 79400
REF#: 0000	03/06/03