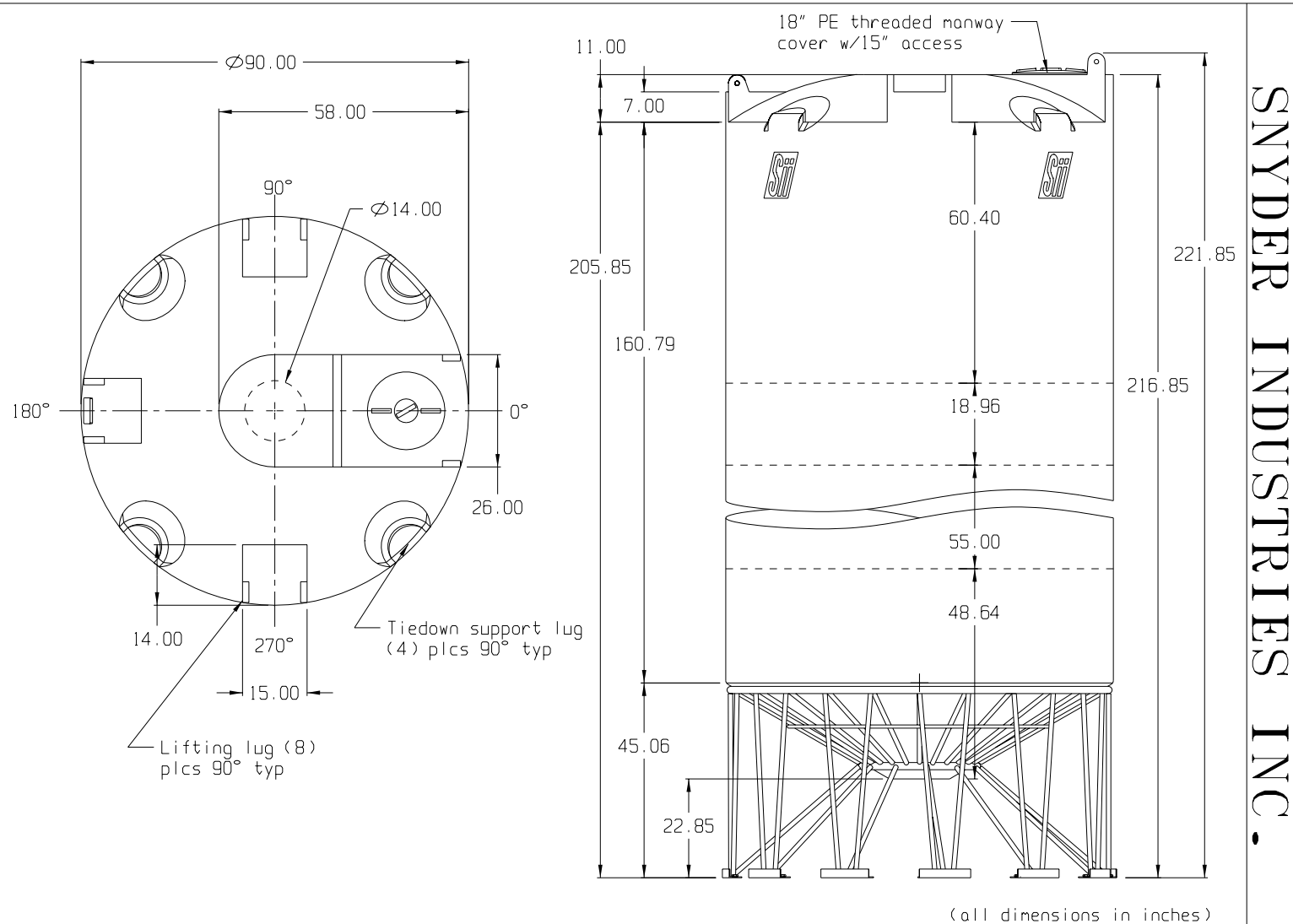




if it flows,
we go with it

1.800.665.4499
barrplastics.com



SNYDER INDUSTRIES INC.

BASE FITTINGS TO BE LEFT INSTALLED AT TIME OF SHIPMENT PER Sii PROCEDURE

4,400 GALLON 30° CONE BOTTOM TANK

(all dimensions in inches)

PART #	TANK: 5200--NO SUMP
	STAND: 79300
	79800 (SEISMIC)
REF#: 0000	10/03/02