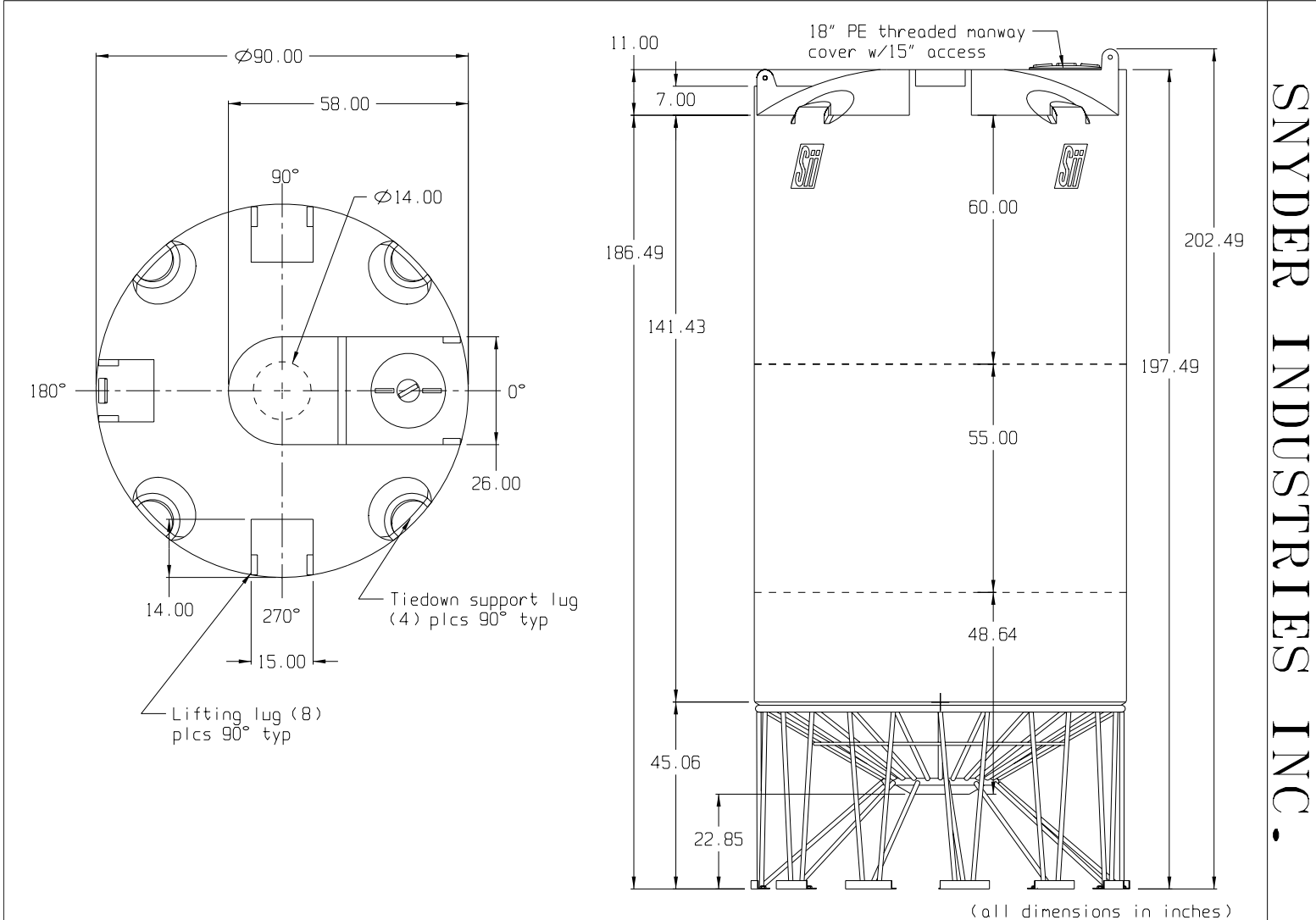




if it flows,  
we go with it

1.800.665.4499  
barrplastics.com



BASE FITTINGS TO BE LEFT INSTALLED AT TIME OF SHIPMENT PER Sii PROCEDURE

3,900 GALLON 30° CONE BOTTOM TANK

(all dimensions in inches)

PART #	TANK: 5440--NO SUMP
	STAND: 79300
	79800 (SEISMIC)
REF#: 0000	11/12/02