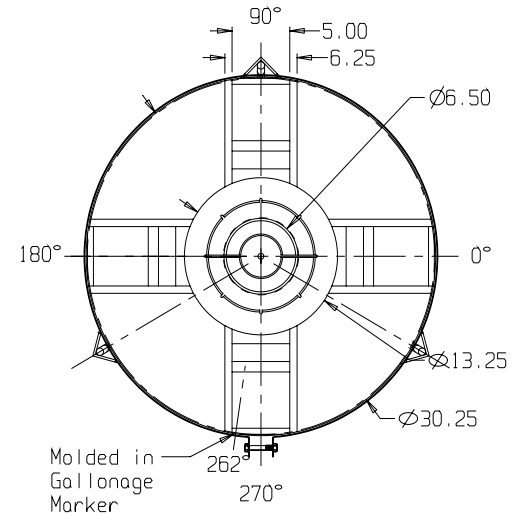
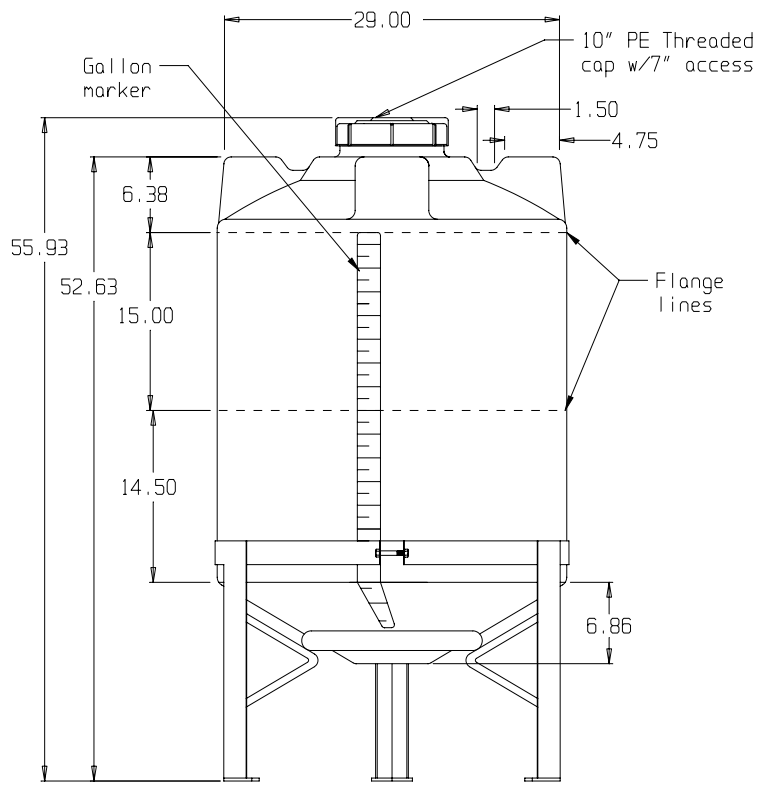




if it flows,  
we go with it

1.800.665.4499  
barrplastics.com

SNYDER INDUSTRIES INC.



\* BASE FITTINGS TO BE LEFT INSTALLED AT TIME OF SHIPMENT PER SII PROCEDURE  
 \* Consult Snyder's Guidelines for Use and Installation prior to delivery.  
 Available on-line at [www.snydernet.com](http://www.snydernet.com)

(all dimensions in inches)

PART # TANK: 6070000N--L

STAND: 48600000L

REF#: 00000

10/22/04

# 110 GALLON PRE-MIX TANK