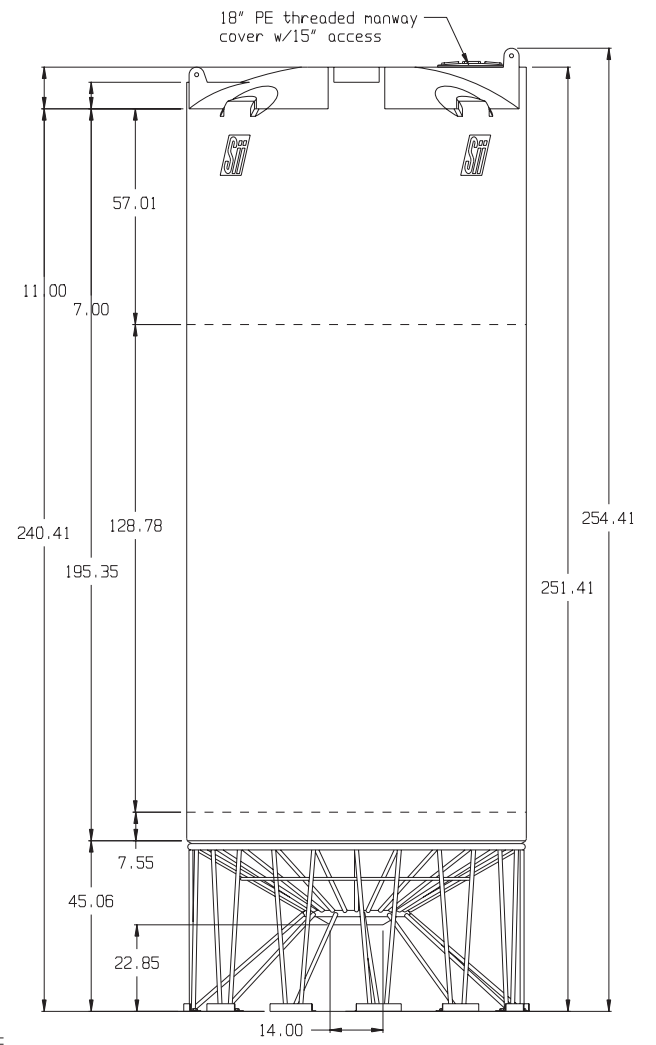
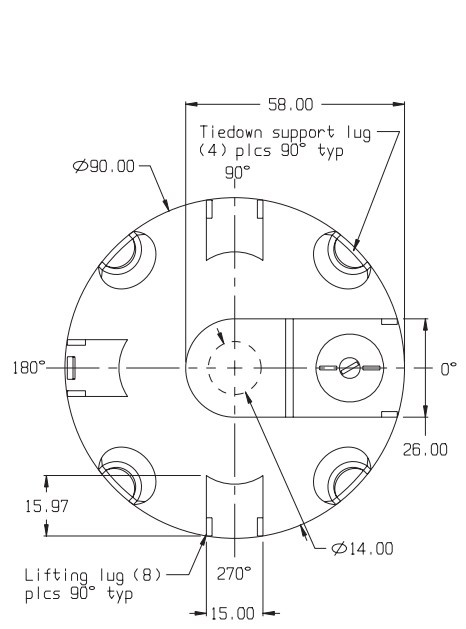




if it flows,
we go with it

1.800.665.4499
barrplastics.com



SNYDER INDUSTRIES INC.

* BASE FITTINGS TO BE LEFT INSTALLED AT TIME OF SHIPMENT PER SII PROCEDURE
 * Consult Snyder's Guidelines for Use and Installation prior to delivery.
 Available on-line at www.snydernet.com

(all dimensions in inches)

PART #S TANK: 7040000N--L
 STAND: 79300000L

5,500 GALLON 30° CONE BOTTOM TANK

REF#: 0000

01/06/04