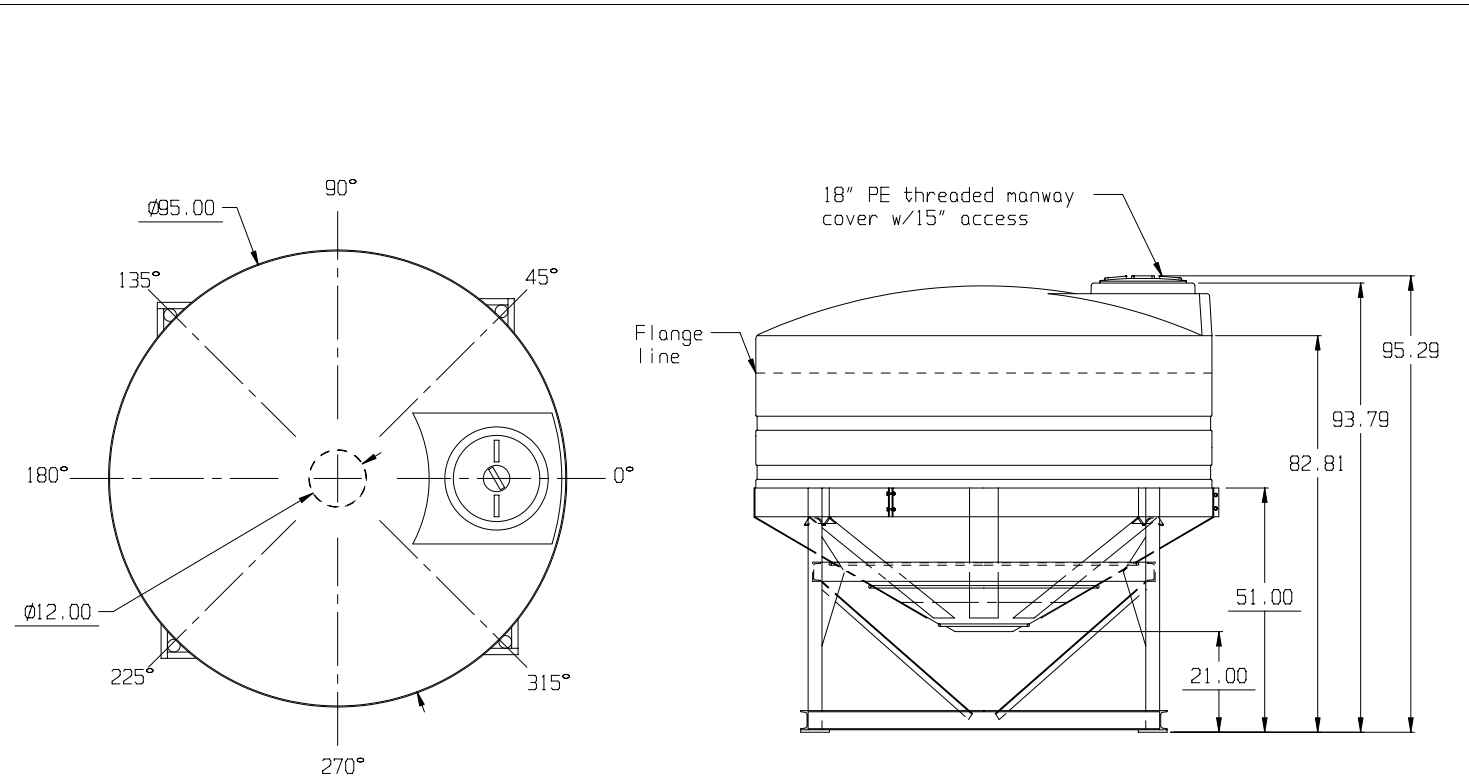




if it flows,
we go with it

1.800.665.4499
barrplastics.com

SNYDER INDUSTRIES INC.



NOTE:
THIS DRAWING SHOWS THE TALL, 21" CLEARANCE, STAND OPTION

- * BASE FITTINGS TO BE LEFT INSTALLED AT TIME OF SHIPMENT PER SII PROCEDURE
- * Consult Snyder's Guidelines for Use and Installation prior to delivery. Available on-line at www.snydernet.com

(all dimensions in inches)

1,600 GALLON CONE BOTTOM TANK W/STAND

PART #	TANK: 8330--
STAND:	904001202
REF#:	00000
	01/28/05