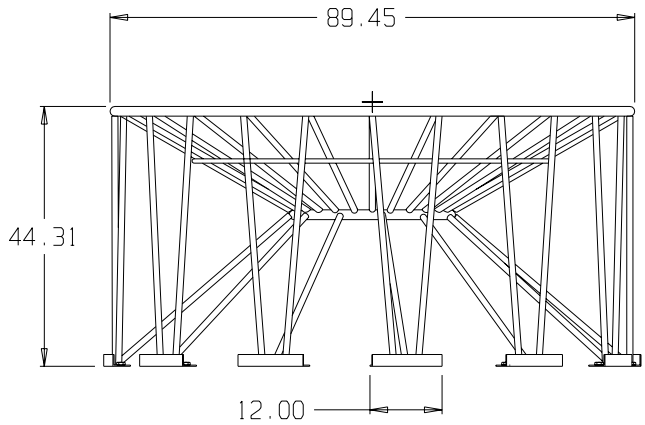
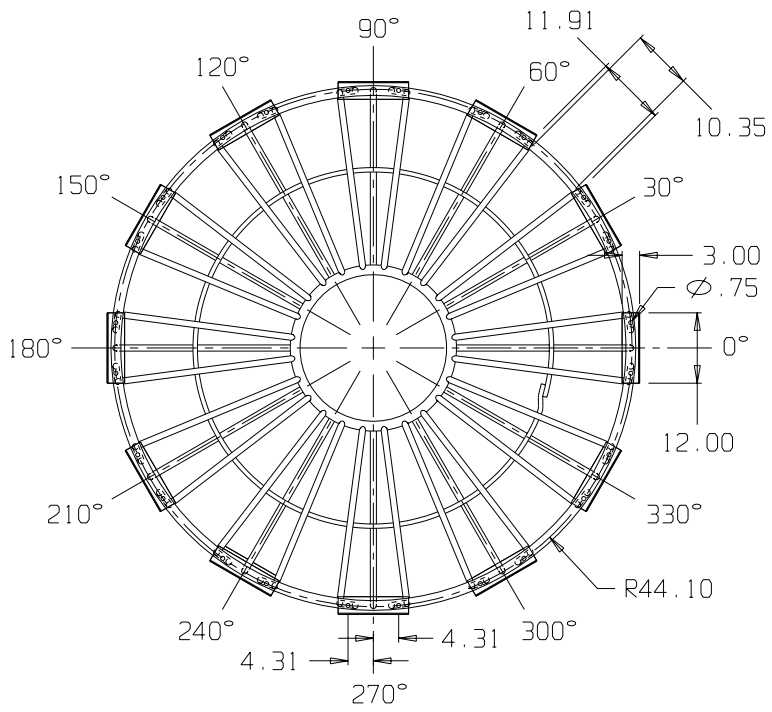




if it flows,  
we go with it

1.800.665.4499  
barrplastics.com

NOTE: CONSULT SII BEFORE MODIFYING ANY PART OF THIS STAND



SNYDER INDUSTRIES INC.

(all dimensions in inches)

PART # STAND: 79300  
(SEISMIC): 79800

REF#: 0000

05/23/02

M-SERIES 12-LEG 30° CONE STAND