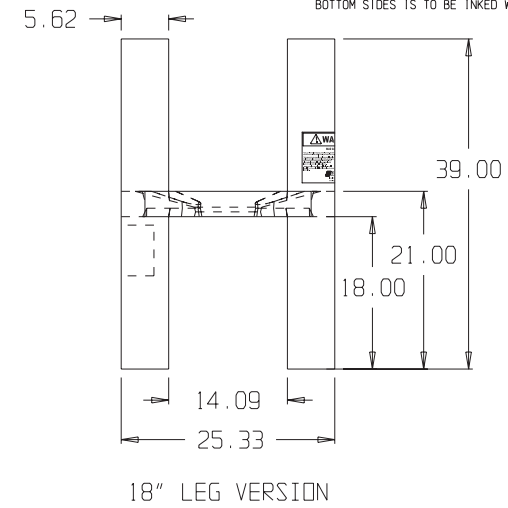
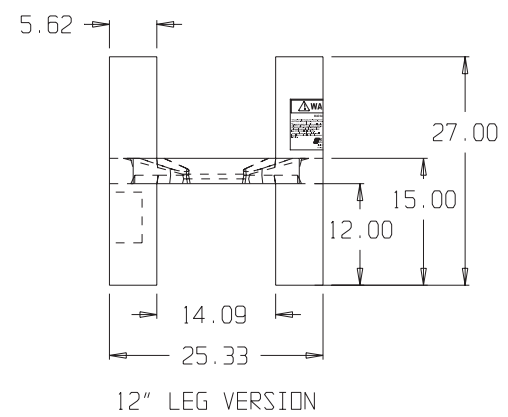
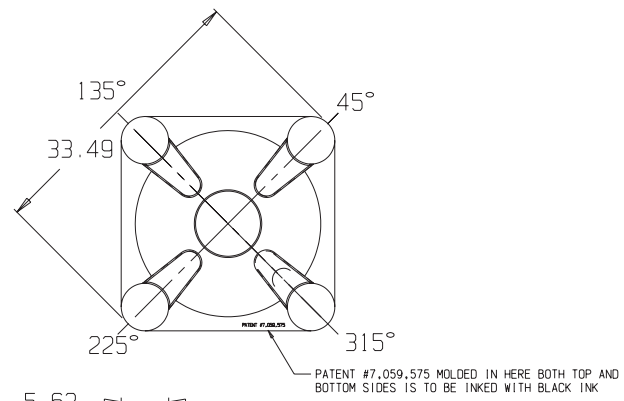
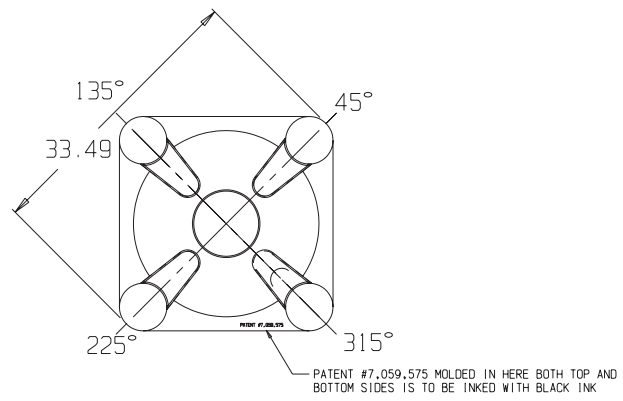




if it flows,  
we go with it

1.800.665.4499  
barrplastics.com



- \* REMOVE CAP/LUG LEG PROTECTORS BEFORE STAND INSTALLATION.
- \* Consult Snyder's Guidelines for Use and Installation prior to delivery.
- Available on-line at [www.snydernet.com](http://www.snydernet.com)

PATENT #7,059,575  
(all dimensions in inches)  
PART # 12" STAND: 1370000N--  
18" STAND: 1370001N--

STAND FLAT/CONE 22" DIA.

REF#: 00000 12/31/03

SNYDER INDUSTRIES INC.