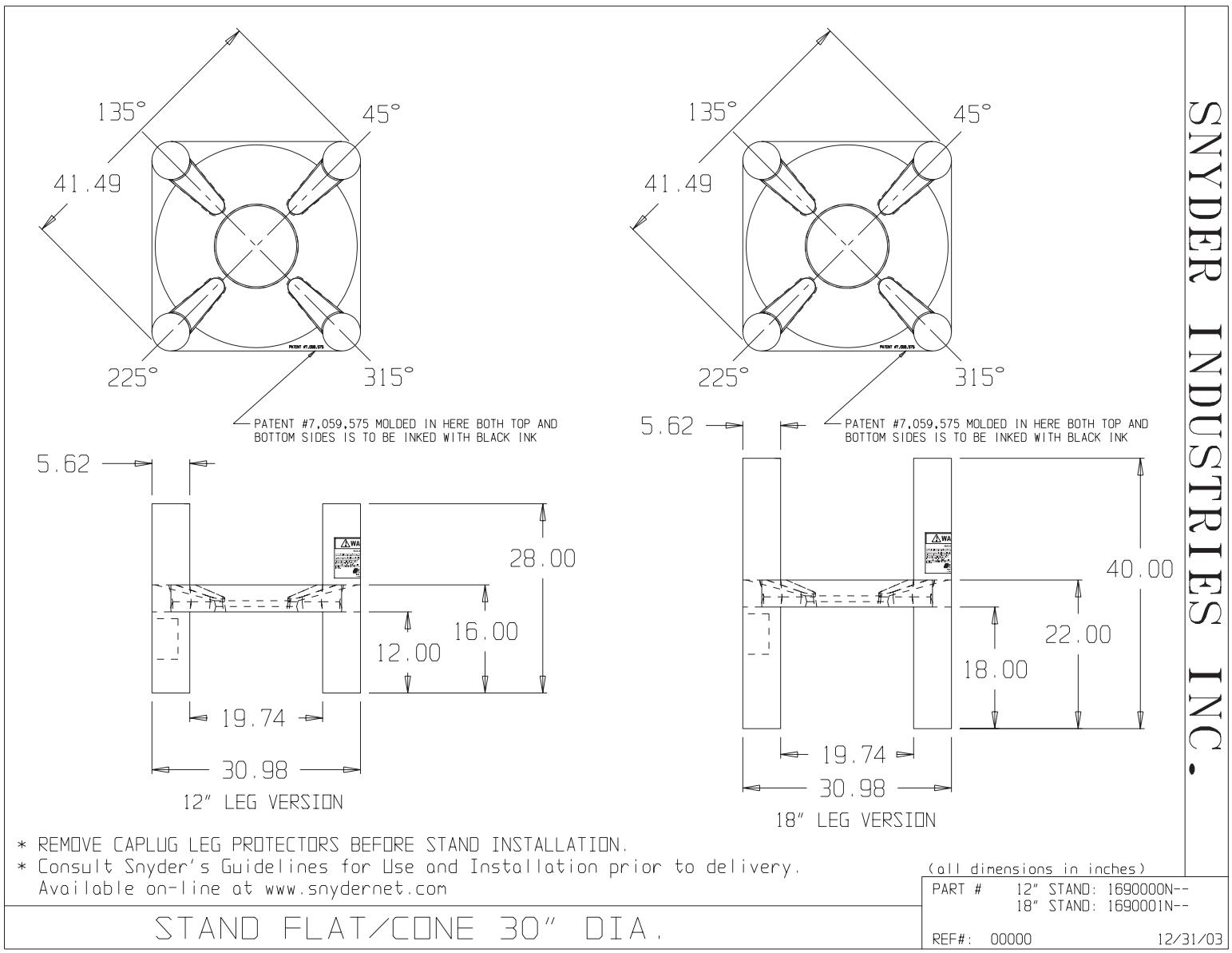




if it flows,  
we go with it

1.800.665.4499  
barrplastics.com



- \* REMOVE CAPPLUG LEG PROTECTORS BEFORE STAND INSTALLATION.
  - \* Consult Snyder's Guidelines for Use and Installation prior to delivery.
- Available on-line at [www.snydernet.com](http://www.snydernet.com)