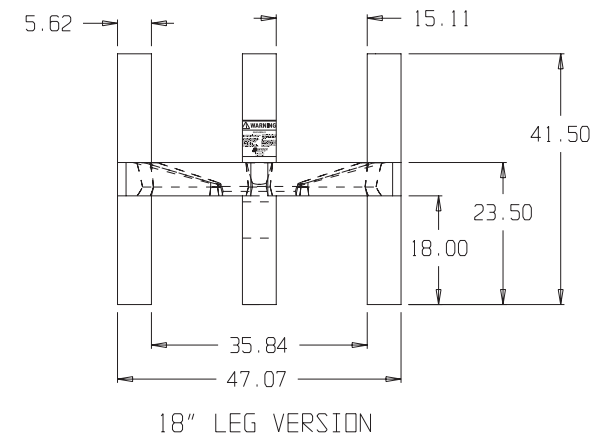
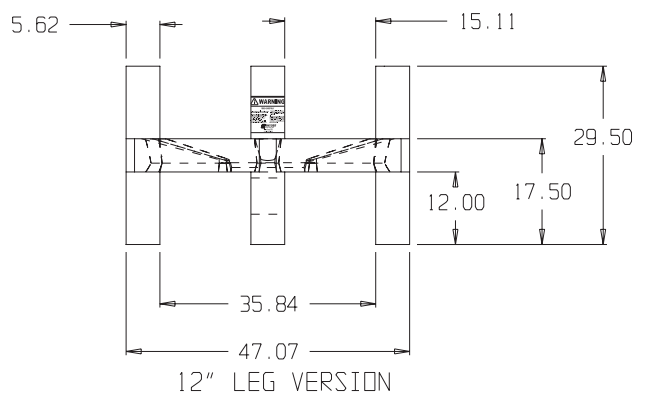
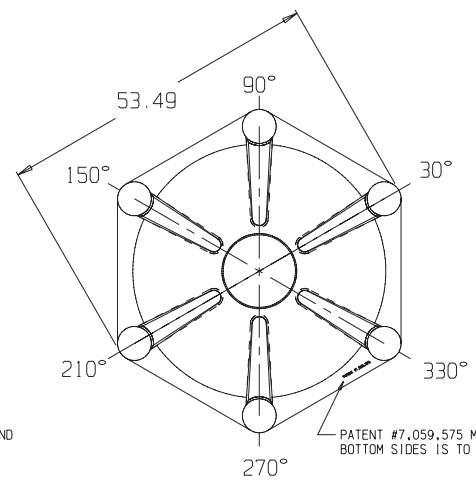
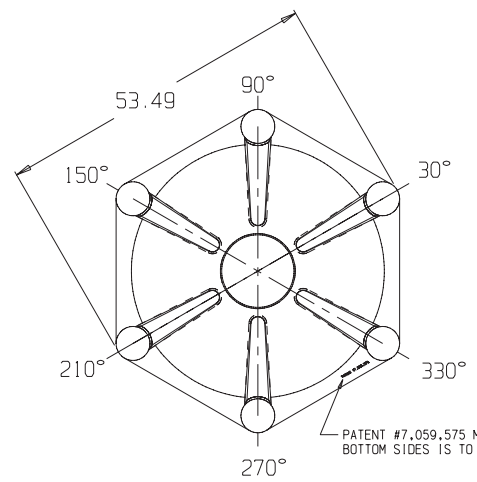




if it flows,
we go with it

1.800.665.4499
barrplastics.com

SNYDER INDUSTRIES INC.



* REMOVE CAP/LEG PROTECTORS BEFORE STAND INSTALLATION.
 * Consult Snyder's Guidelines for Use and Installation prior to delivery.
 Available on-line at www.snyder.net.com

(all dimensions in inches)
 PART # 12" STAND: 1750000N-
 18" STAND: 1750001N-
 REF#: 00000 03/07/05

STAND FLAT/CONE 42" DIA.