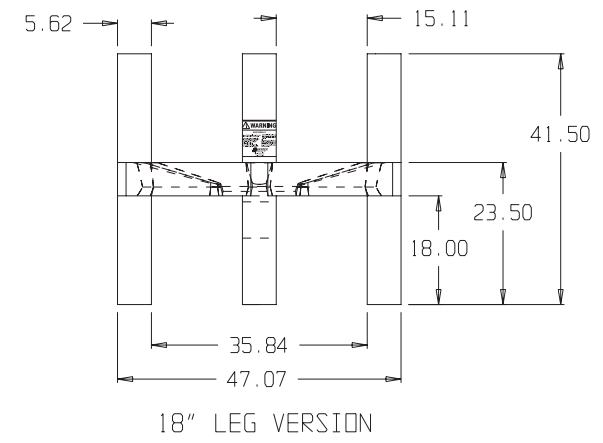
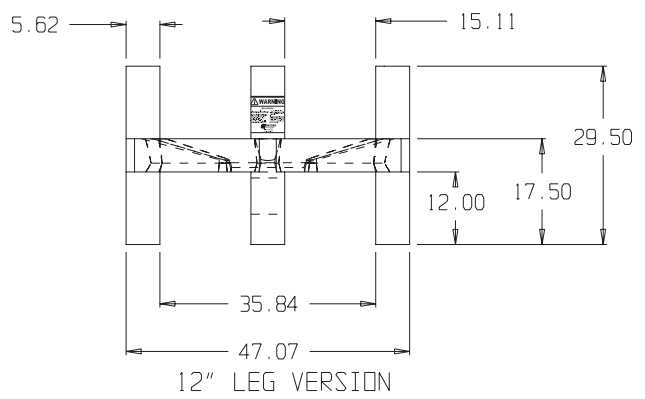
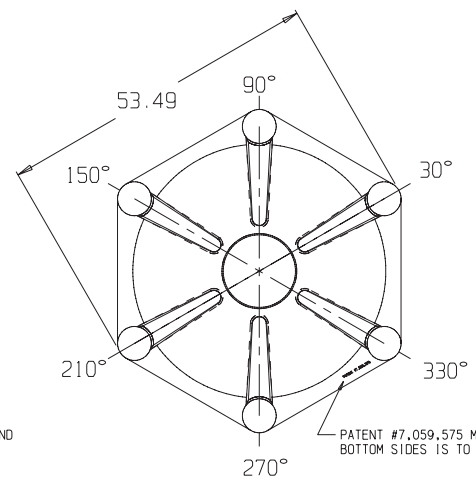
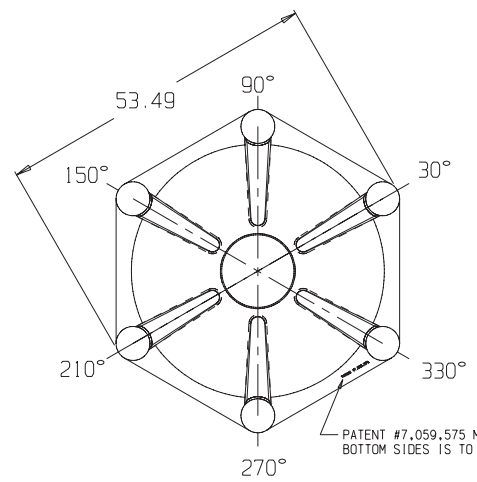




if it flows,
we go with it

1.800.665.4499
barrplastics.com

SNYDER INDUSTRIES INC.



- * REMOVE CAP/LEG PROTECTORS BEFORE STAND INSTALLATION.
 - * Consult Snyder's Guidelines for Use and Installation prior to delivery.
- Available on-line at www.snyder.net.com

(all dimensions in inches)

PART #	12" STAND: 1750000N-
	18" STAND: 1750001N-
REF#:	00000 03/07/05

STAND FLAT/CONE 42" DIA.