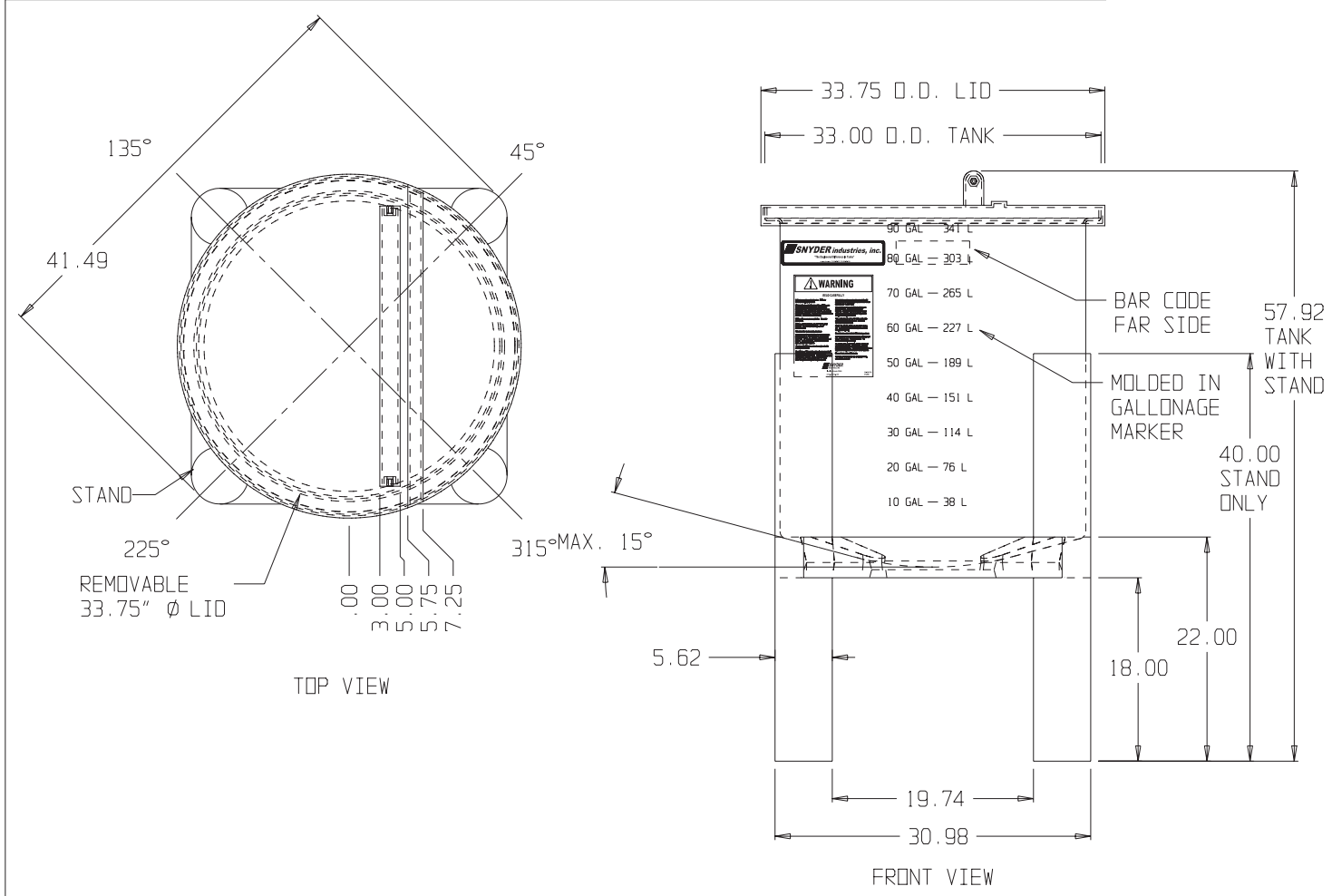




if it flows,
we go with it

1.800.665.4499
barrplastics.com



SNYDER INDUSTRIES INC.

* BASE FITTINGS TO BE LEFT INSTALLED AT TIME OF SHIPMENT PER SII PROCEDURE
 * Consult Snyder's Guidelines for Use and Installation prior to delivery.
 Available on-line at www.snydernet.com

PATENT #7,059,575

(all dimensions in inches)

PART # TANK: 580000N--L

STAND: 1690001N--L
REF#: 0000 01/05/04

90 GALLON OPEN TOP TOTAL DRAIN TANK W/30" x 18" STAND