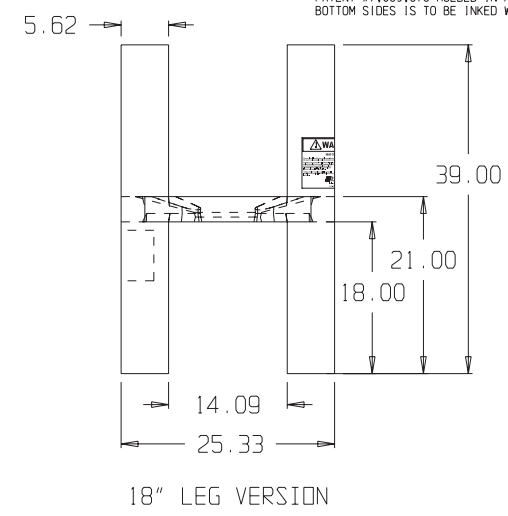
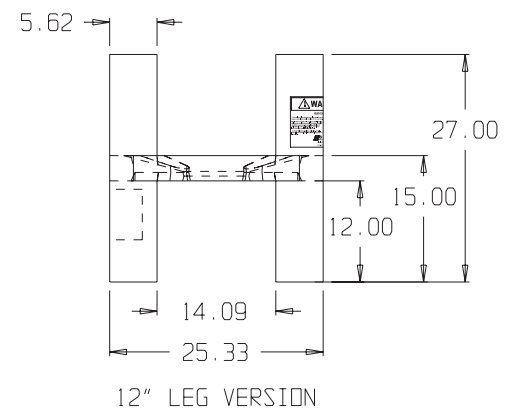
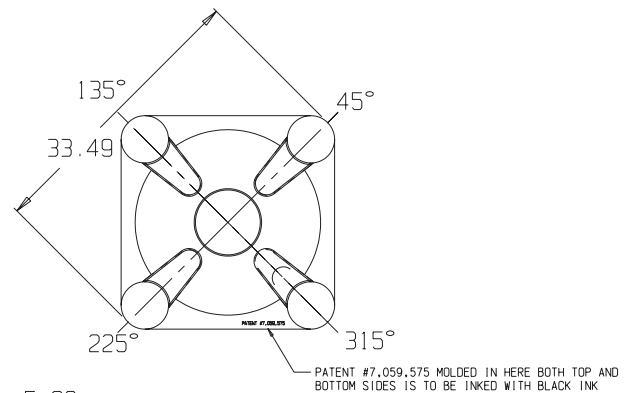
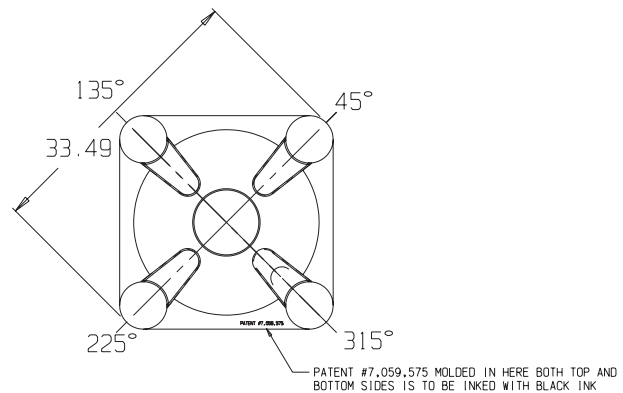




if it flows,
we go with it

1.800.665.4499
barrplastics.com



- * REMOVE CAP/LUG LEG PROTECTORS BEFORE STAND INSTALLATION.
- * Consult Snyder's Guidelines for Use and Installation prior to delivery.
- Available on-line at www.snyder.net.com

PATENT #7,059,575
(all dimensions in inches)
PART # 12" STAND: 1370000N--
18" STAND: 1370001N--

STAND FLAT/CONE 22" DIA.

REF#: 00000 12/31/03

SNYDER INDUSTRIES INC.