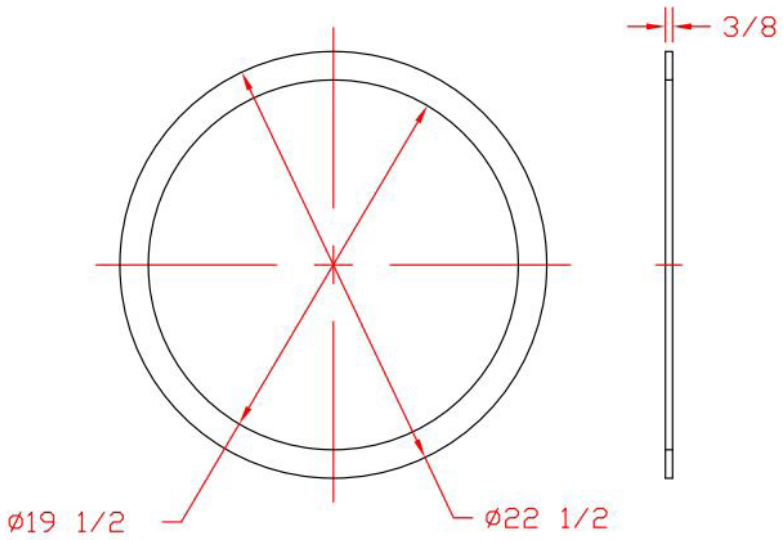





if it flows,
we go with it

1.800.665.4499
barrplastics.com

REVISIONS				
ZONE	REV	DESCRIPTION	DATE	APPROVED



MAT'L: POLYETHYLENE FOAM
ETHAFOAM 221

 ST. BONIFACIUS, MN SEPTIC LID GASKET		SIZE	FSCM NO.	DWG NO.	REV
		A		62942	
SCALE 1/8		SHEET			