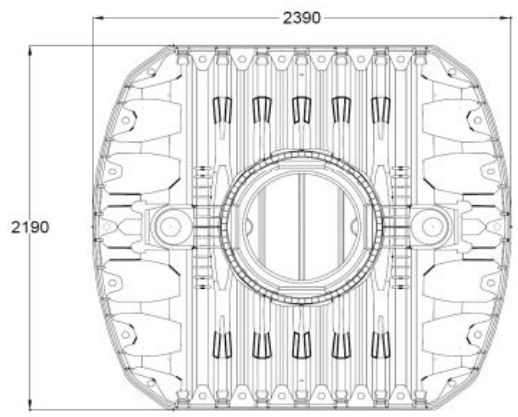
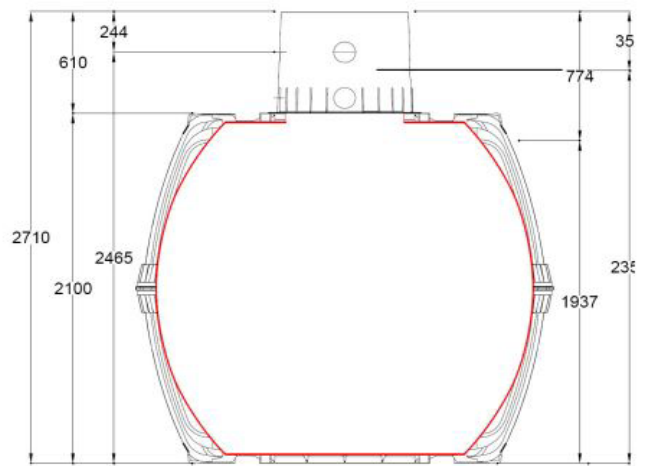
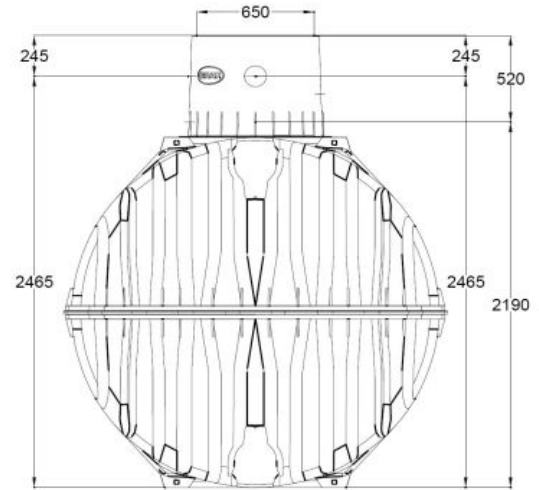




if it flows,
we go with it

1.800.665.4499
barrplastics.com



ACCEPTANCE (SIGN & DATE)	DATE	 Plastics Inc.	TITLE		
			GRAF CARAT S – BG TANK – 6500 L		
			1700 USG / 1430 IG		
CUSTOMER NAME - PRINT:			DRAWN BY:	EFFECTIVE DATE: 10/03/10	PROJECT:
			CHECKED:	DRAW NG NO.:	REVISION: NTS