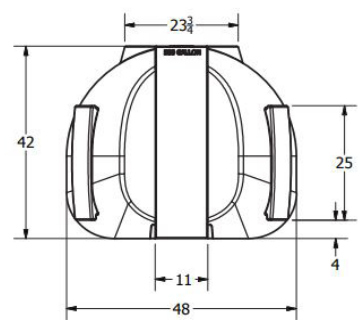
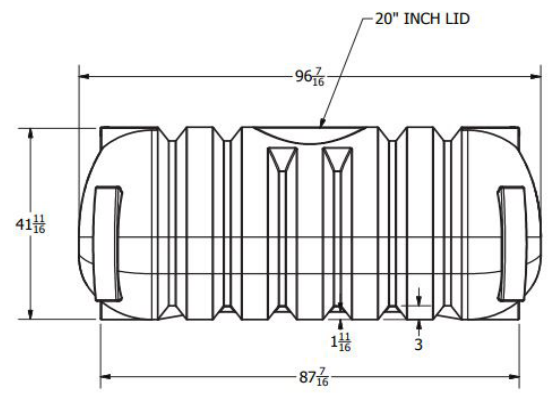
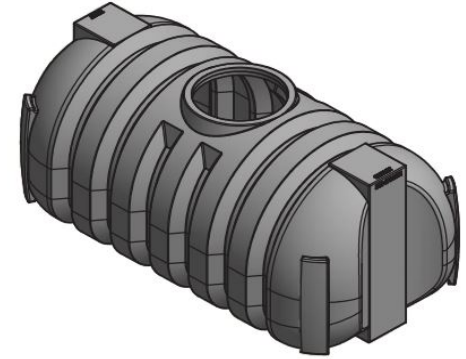




if it flows,
we go with it

1.800.665.4499
barrplastics.com

MATERIAL: HIGH-DENSITY POLYETHYLENE
Potable Water Certified (Contact for details)
575 US GALLONS WORKING CAPACITY



ALL DIMENSIONS ARE IN INCHES, NOMINAL, AND SUBJECT TO CHANGE WITHOUT NOTICE.
ALL DIMENSIONS ON ROTATIONALLY MOLDED PARTS ARE SUBJECT TO A ±3% TOLERANCE

DRAWN Todd Bolzer	6/2/2009	NORWESCO NORWESCO, INC., ST. BONIFACIUS, MN	
CHECKED		TITLE	
QA		575 LOW PROFILE CISTERN	
MFG			
APPROVED			
		SIZE B	DWG NO 44360
			REV C
SCALE: 1/16		SHEET 1 OF 1	