



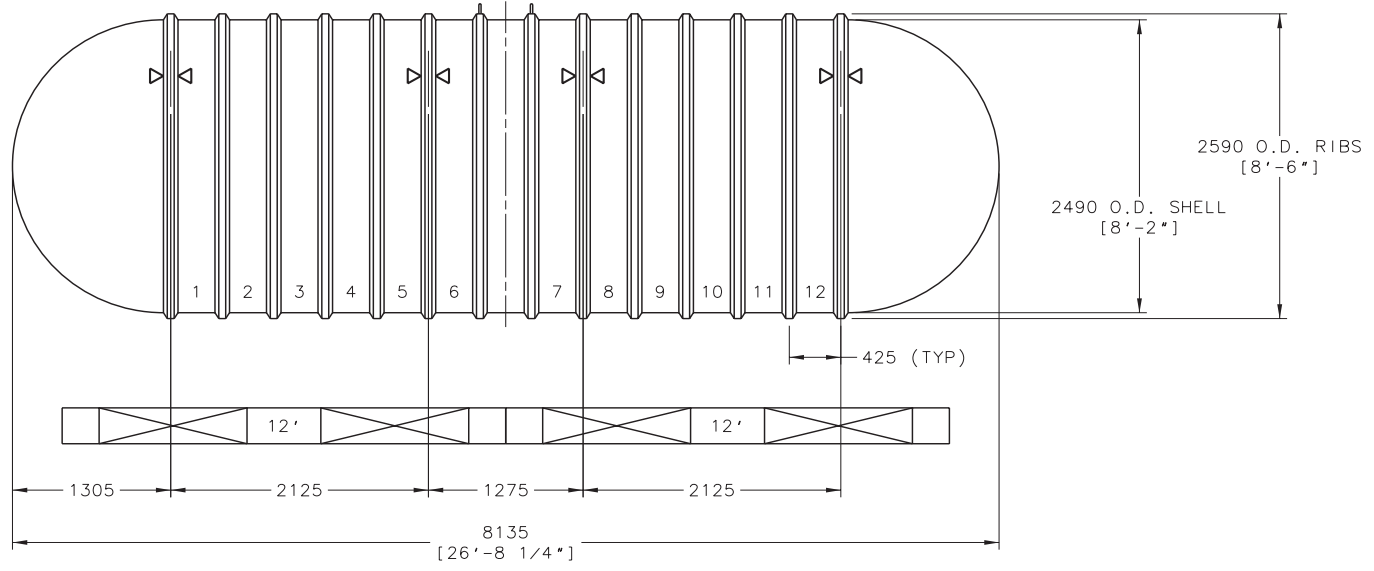
if it flows,
we go with it

1.800.665.4499
barrplastics.com

NOTE:

- 1 - All dimensions are shown in mm.
Dimensions in brackets are in feet/inches.
- 2 - Optional prefabricated engineered concrete deadmen shown.
- 3 - Actual capacity - 35,138 LITRES/9,282 US gals.

0 REVISION DESCRIPTION						
DRW	DATE	DRW'D	DATE	APP'D	DATE	
-	-	-	-	-	-	-



 COMPOSITES INC.		TITLE			
		8'-6"DIA SW-ZCL			
DRW	DATE	DRW'D		DATE	
DAG	4-29-09	DATE		DATE	
APP'D		DATE		DR. NUMBER	
JWL		7-31-09		634-609	
SCALE: 1/2"=1'-0"		REV	DR.	SIZE	
		00	C		