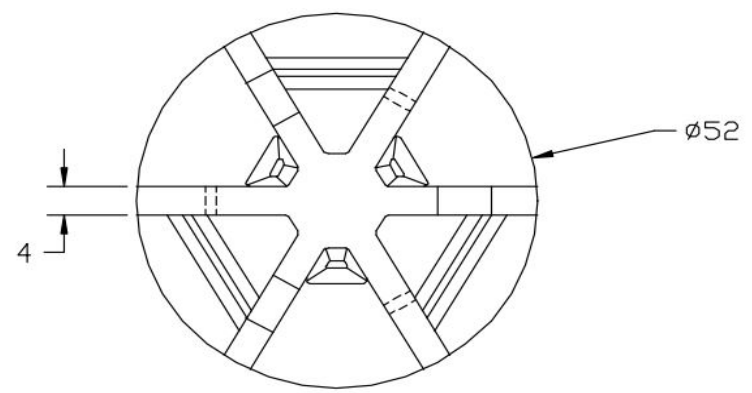
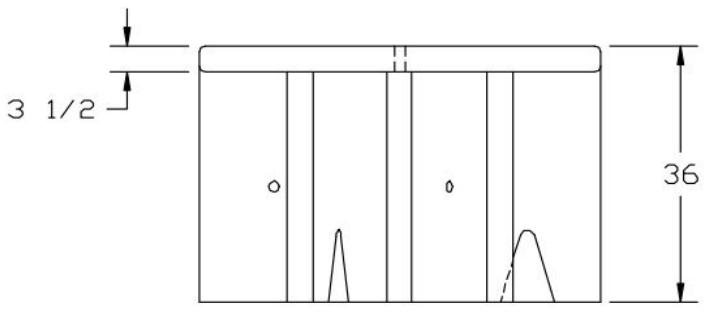




if it flows,  
we go with it

1.800.665.4499  
barrplastics.com

DWG NO. VT-ST052 SH REV



DRAWN		DATE		MATERIAL		<b>ACE ROTO-MOLD</b>	
EVAN		9-30-94		POLYETHYLENE			
APPROVED		DATE		PART NO.		VT-ST052	
REV	DESCRIPTION	DATE	APVD	THIRD ANGLE PROJECTION		PART WEIGHT	
SCALE NONE						SIZE	
UNLESS DIMENSIONS ARE IN INCHES GENERAL TOLERANCES $\pm .5\%$ @ 68° F						A	
						DWG NO. VT-ST052	