

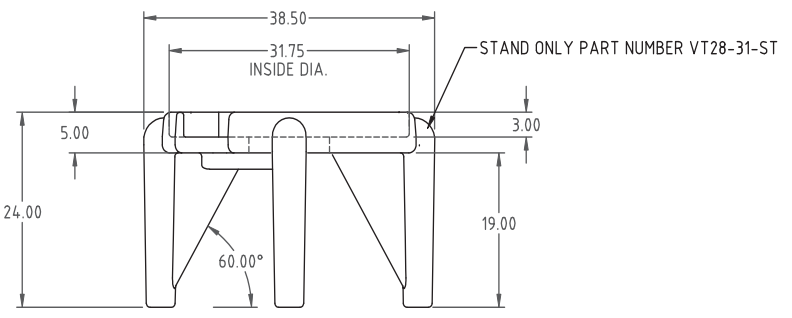
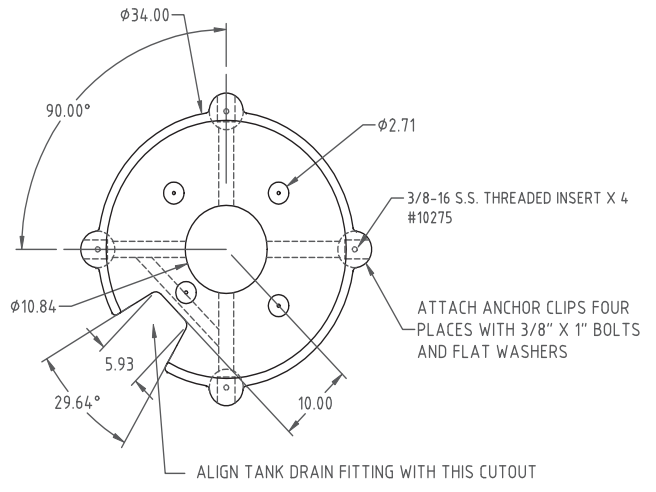
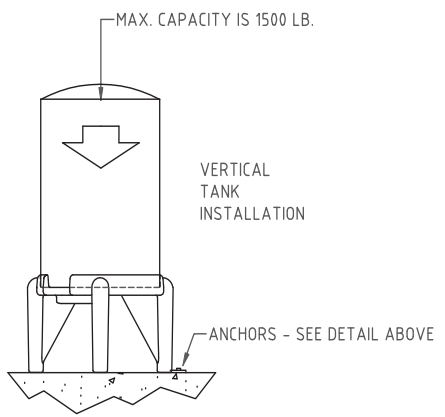
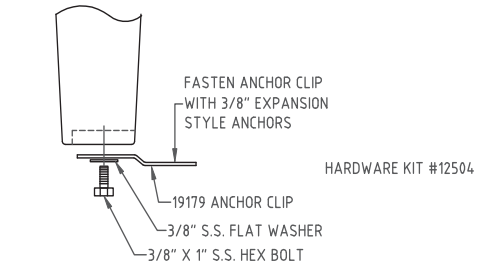


if it flows,
we go with it

1.800.665.4499
barrplastics.com

© DEN HARTOG INDUSTRIES, INC.
Copyright. All information furnished within this document, electronic file or design correspondence is the property of Den Hartog Industries Inc. and shall not be used, disclosed to others or copied without the expressed written consent of Den Hartog Industries, Inc.

VT28-31-STP A



				DRAWN / DATE REH/9/23/03	MATERIAL / SHOT WEIGHT		 Ace Roto-Mold A DIVISION OF DEN HARTOG INDUSTRIES, INC. 4010 HOSPERS DRIVE S. BOX 425, HOSPERS, IOWA 51238-0421	
				APPRD. / DATE DHJ 9/23/03	8460	35		
A	ADDED HARDWARE PART NUMBER	11/7/07 DHJ	1504		FLAT TOP POLY STAND AND HARDWARE			
REV	DESCRIPTION	DATE	APPRD	CCN	SCALE			
ALL DIMENSIONS ARE IN DECIMAL INCHES TOLERANCES UNLESS OTHERWISE SPECIFIED \pm 1% @ 68° F				THIRD ANGLE PROJECTION ANSI 14.5M 		NOTES: 1. 188 NOMINAL WALL 2. STD. COLOR IS BLACK		
						SCALE	PART NO.	
						N.S.	VT28-31-STP	