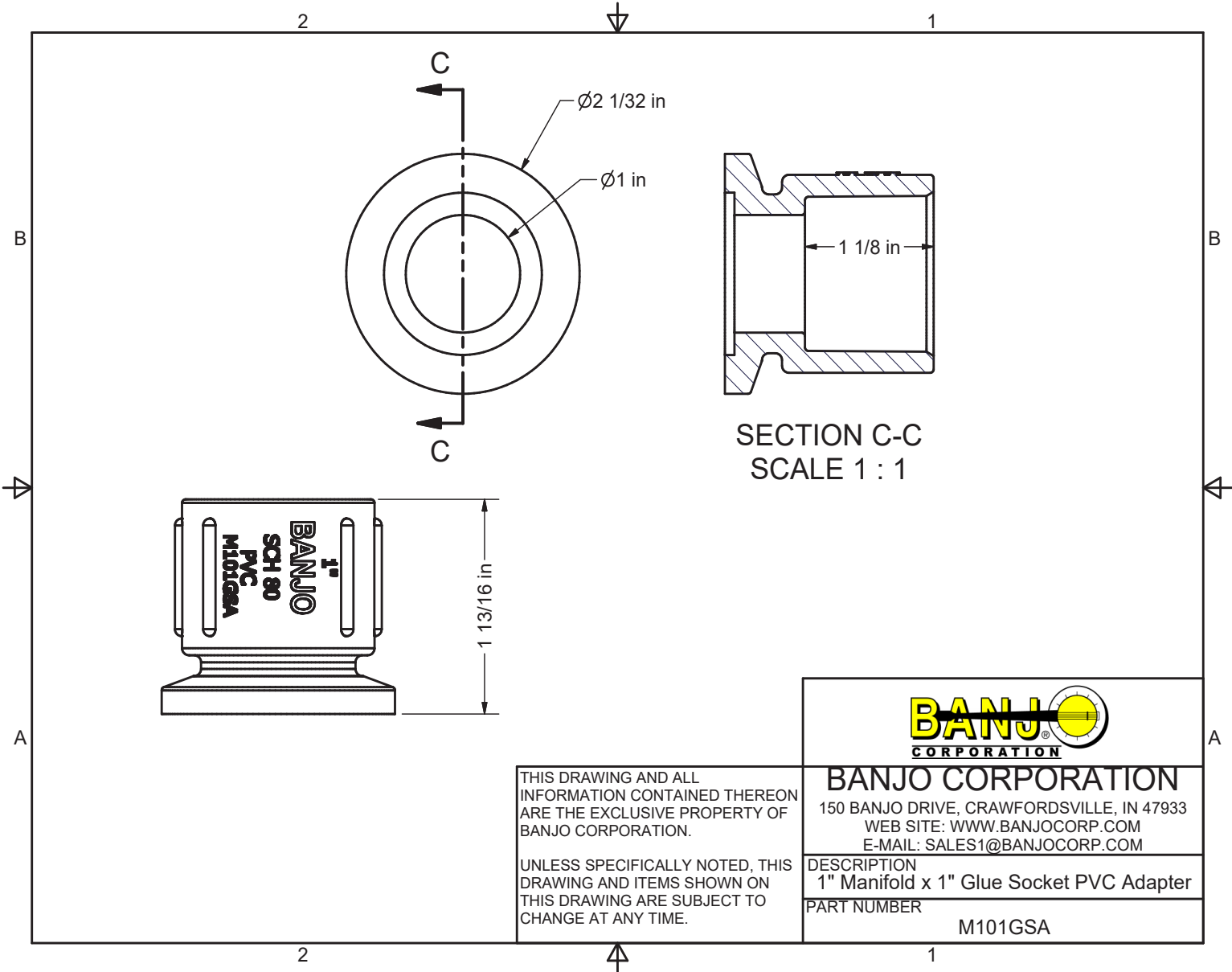




if it flows,  
we go with it

1.800.665.4499  
barrplastics.com



THIS DRAWING AND ALL INFORMATION CONTAINED THEREON ARE THE EXCLUSIVE PROPERTY OF BANJO CORPORATION.

UNLESS SPECIFICALLY NOTED, THIS DRAWING AND ITEMS SHOWN ON THIS DRAWING ARE SUBJECT TO CHANGE AT ANY TIME.

<b>BANJO CORPORATION</b>	
150 BANJO DRIVE, CRAWFORDSVILLE, IN 47933 WEB SITE: WWW.BANJOCORP.COM E-MAIL: SALES1@BANJOCORP.COM	
DESCRIPTION	1" Manifold x 1" Glue Socket PVC Adapter
PART NUMBER	M101GSA