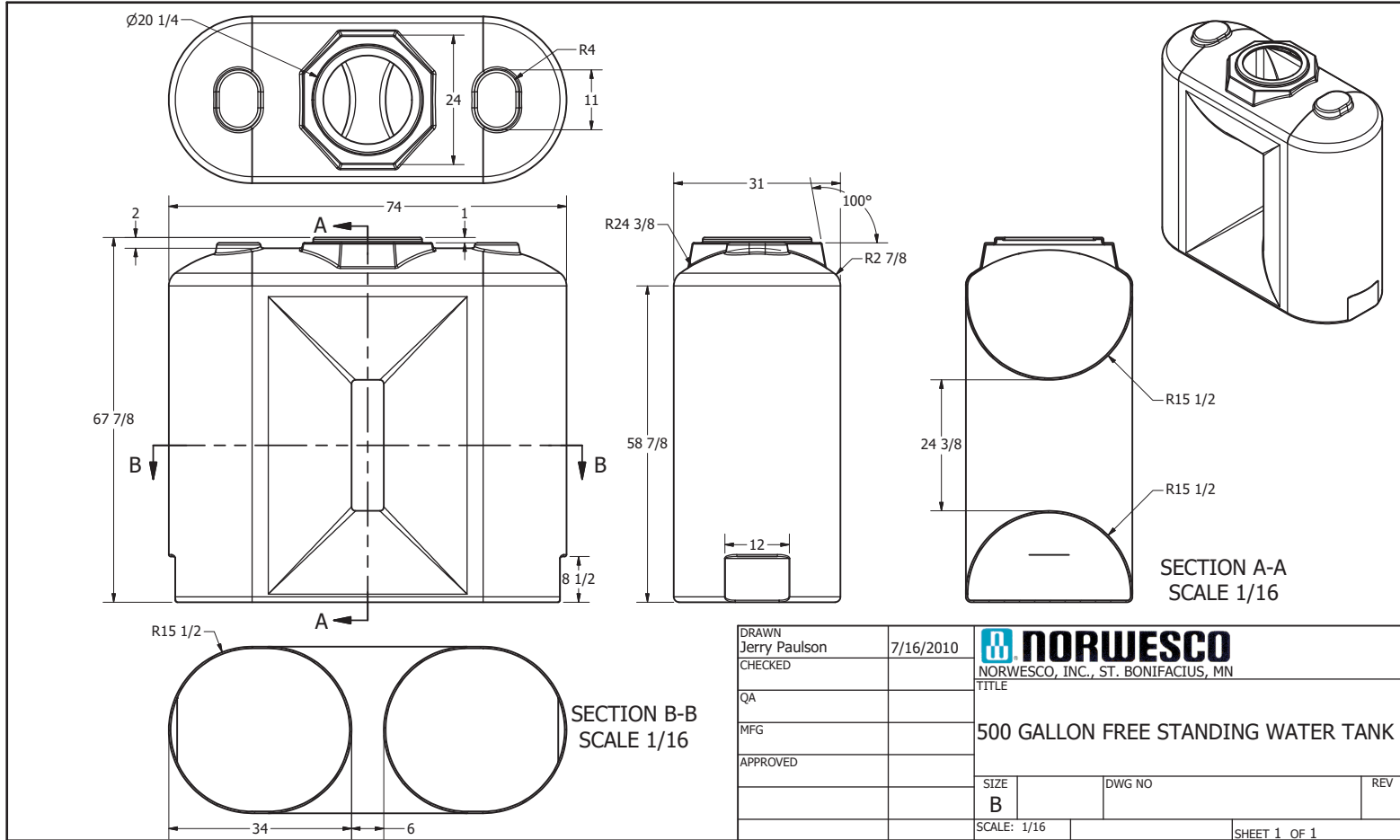




if it flows,
we go with it

1.800.665.4499
barrplastics.com



DRAWN Jerry Paulson	7/16/2010	NORWESCO	
CHECKED		NORWESCO, INC., ST. BONIFACIUS, MN	
QA		TITLE	
MFG		500 GALLON FREE STANDING WATER TANK	
APPROVED		SIZE	DWG NO
		B	
		SCALE: 1/16	REV
			SHEET 1 OF 1