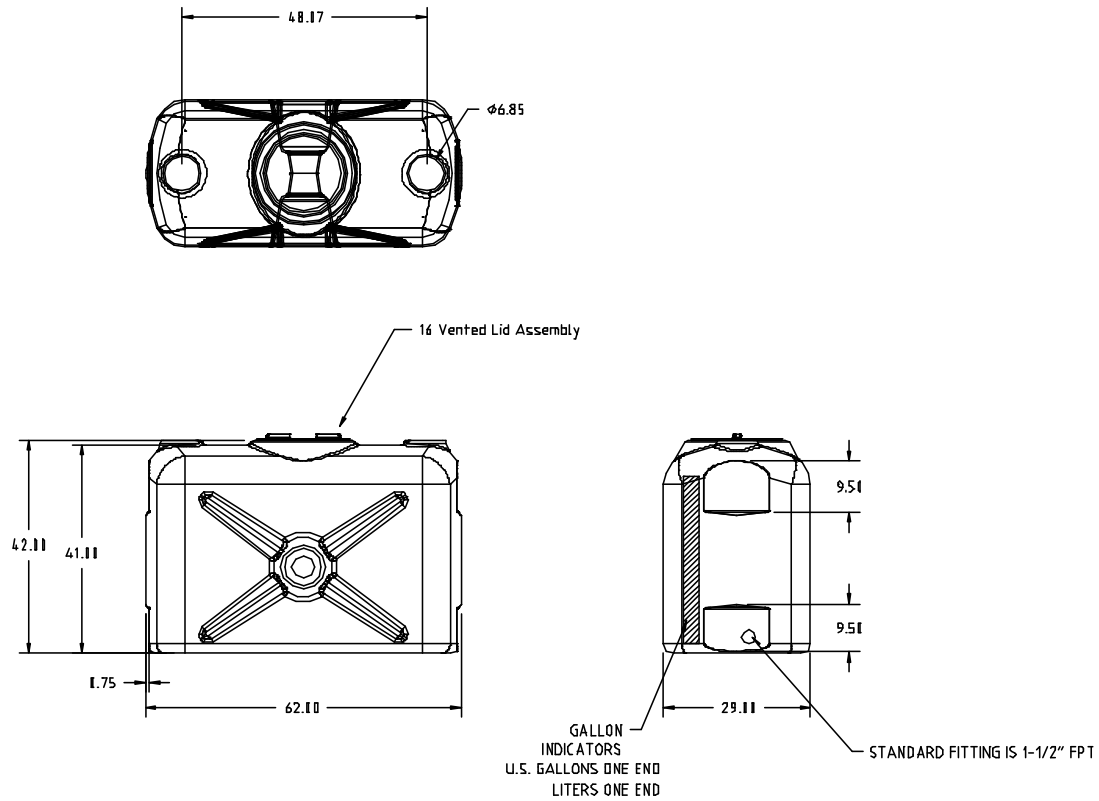




if it flows,  
we go with it

1.800.665.4499  
barrplastics.com

SP0250-UT



|   |             |             |  |                                    |   |
|---|-------------|-------------|--|------------------------------------|---|
|   |             |             | DRAWN / DATE<br>REH / 7/14/04<br>APPRD. / DATE | MATERIAL / SHOT WEIGHT<br>113 LBS. | <br><b>Ace Roto-Mold</b><br>A DIVISION OF DEN HARTOG INDUSTRIES, INC. |
| REV   | DESCRIPTION | DATE APPRD. |  |                                    |   |
| ALL DIMENSIONS ARE IN DECIMAL INCHES<br>TOLERANCES UNLESS OTHERWISE SPECIFIED<br>$\pm 1\%$ @ 68°F |             |             | THIRD ANGLE PROJECTION<br>ANSI 14.5M<br>       | NOTES:<br>.300 NOM. WALL           | 250 GALLON DOORWAY TANK   |
|   |             |             |  | SCALE<br>NONE                      | PART NO.<br>SP0250-UT   |