

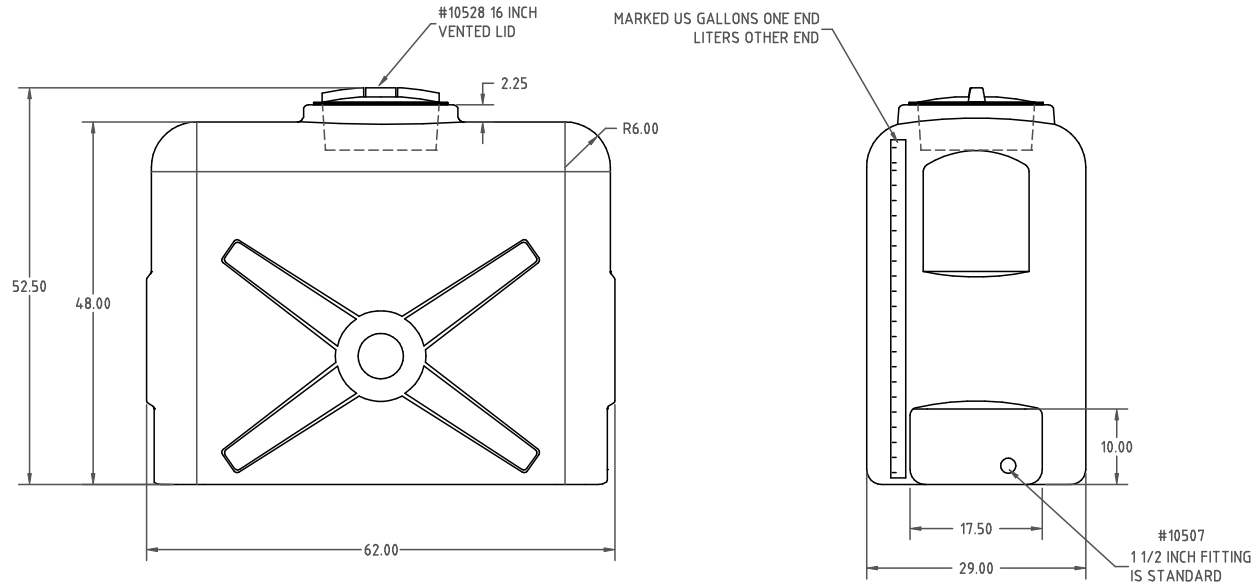



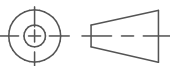
if it flows,
we go with it

1.800.665.4499
barrplastics.com

© DEN HARTOG INDUSTRIES, INC.
Copyright. All information furnished within this document, electronic file or design correspondence is the property of Den Hartog Industries, Inc. and shall not be used, disclosed to others or copied without the expressed written consent of Den Hartog Industries, Inc.

SP0300-UT



				DRAWN / DATE REH 6/12/09	MATERIAL 10420 3 MELT RESIN	 Den Hartog INDUSTRIES, INC. Ace Roto-Mold Injection Molding Blow Molding Sowjoy 4010 HOSPERS DRIVE S. BOX 425, HOSPERS, IOWA 51238-0425
				APPRD. / DATE DHJ 8/11/09		
REV	DESCRIPTION	BY / DATE	CCN	SHOT WEIGHT: 157 LBS.	NOTES: 1.) .375 NOM. WALL	DESCRIPTION 300 GALLON UTILITY TANK
ALL DIMENSIONS ARE IN DECIMAL INCHES TOLERANCES UNLESS OTHERWISE SPECIFIED				SHIPPING WEIGHT: 159 LBS.		SCALE N.S.
POLYETHYLENE ±1% @ 68° F		THIRD ANGLE PROJECTION ANSI 14.5M 		FINISH:		
		METAL DECIMAL ± .125" FRACTION ± 1/4" ANGLE ± 1°				

This document contains proprietary information. It is intended solely for use of potential clients involved or to be involved in a transaction with BARR Plastics Inc. Such proprietary information may not be used, reproduced, or disclosed for any other purpose without the expressed written permission.

© 2019 BARR PLASTICS INC