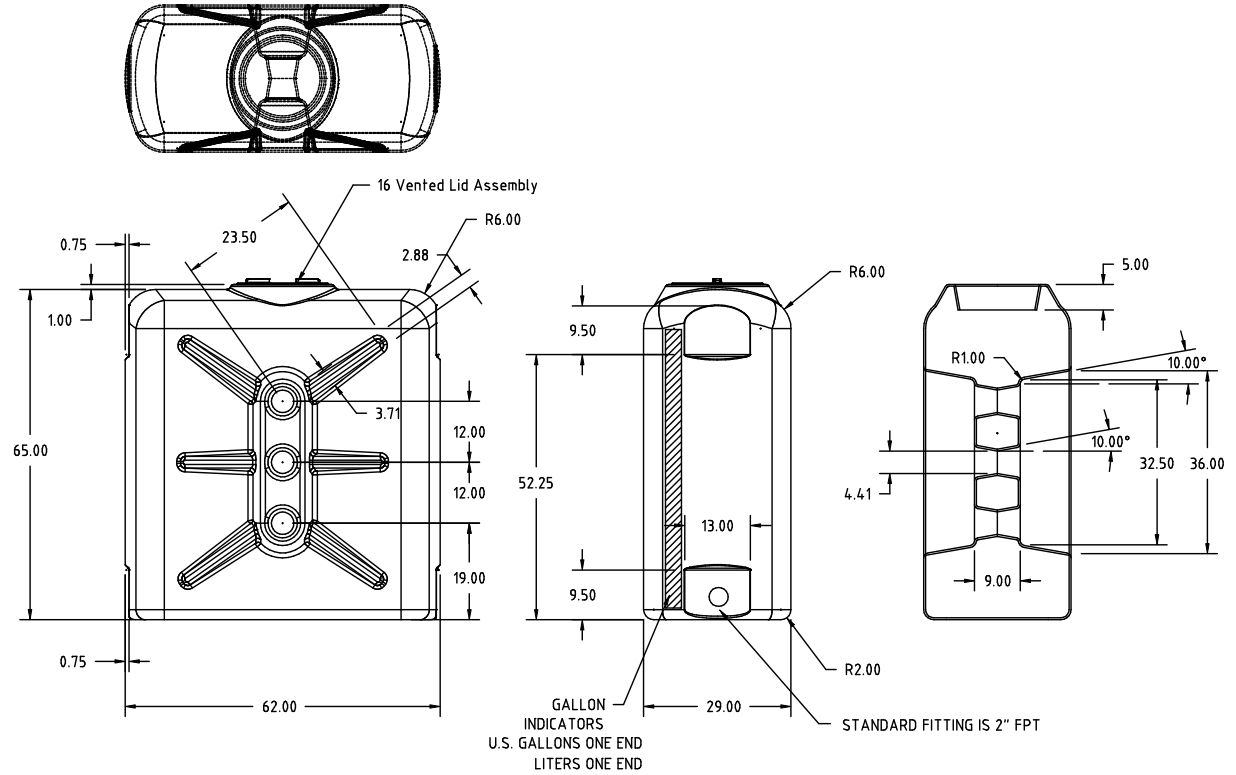



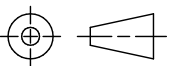


if it flows,
we go with it

1.800.665.4499
barrplastics.com

SP0400-UT



| | | | | | | | |
|--|-------------|---------------------------------|--------|---|--|---|-----------------------|
| | | DRAWN / DATE DHJ / 6/24/03 | | MATERIAL / SHOT WEIGHT | |  Ace Roto-Mold A DIVISION OF DEN HARTOG INDUSTRIES, INC. | |
| | | APPRD. / DATE ADH / 11/19/07 | | 207 LBS. | | | |
| REV | DESCRIPTION | DATE | APPRD. | THIRD ANGLE PROJECTION ANSI 14.5M | | CLIENT / DESCRIPTION | |
| ALL DIMENSIONS ARE IN DECIMAL INCHES TOLERANCES UNLESS OTHERWISE SPECIFIED $\pm 1\% \text{ @ } 68^\circ \text{ F}$ | | | |  | | 400 GALLON DOORWAY TANK | |
| | | | | NOTES: .375 NOM. WALL | | SCALE NONE | PART NO. SP0400-UT |

This document contains proprietary information. It is intended solely for use of potential clients involved or to be involved in a transaction with BARR Plastics Inc. Such proprietary information may not be used, reproduced, or disclosed for any other purpose without the expressed written permission.

© 2019 BARR PLASTICS INC