

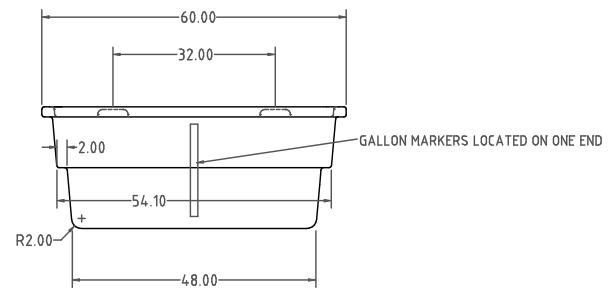
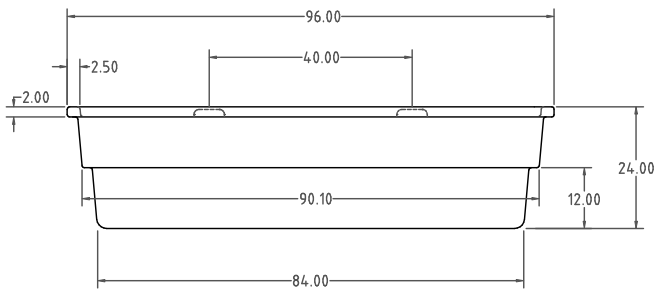
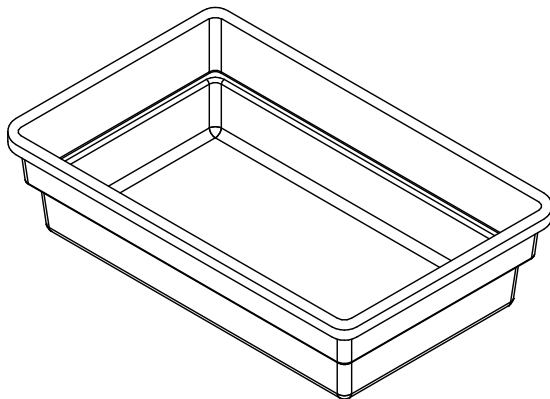
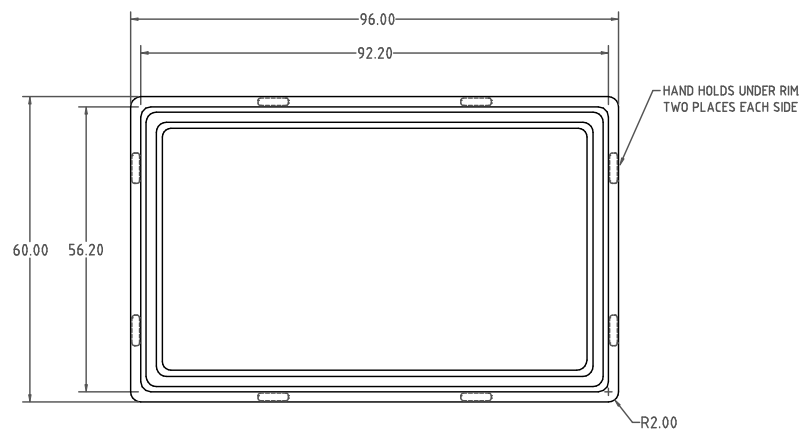


if it flows,
we go with it

1.800.665.4499
barrplastics.com

PROPRIETARY DATA
INFORMATION FURNISHED HEREIN IS THE PROPERTY OF DEN HARTOG INDUSTRIES INC. AND SHALL NOT BE USED, DISCLOSED TO OTHERS, OR COPIED WITHOUT EXPRESSED WRITTEN CONSENT OF DEN HARTOG IND. ALL RIGHTS RESERVED.

OP0325-RT



				DRAWN /DATE DHJ 10/3/07	MATERIAL	 Ace Roto-Mold A DIVISION OF DEN HARTOG INDUSTRIES, INC. 4010 HOSPERS DRIVE SOUTH, BOX 425, HOSPERS, IOWA 51238	
				APPRD. /DATE REH 11/9/07	SHOT WEIGHT = 115 LBS. = .25 WALL 10538 2 MELT NATURAL RESIN		
REV	DESCRIPTION	DATE	APPRD.	CCN	THIRD ANGLE PROJECTION ANSI 14.5M	NOTES :	325 GALLON CONTAINMENT TANK
ALL DIMENSIONS ARE IN DECIMAL INCHES TOLERANCES UNLESS OTHERWISE SPECIFIED ± 1 % @ 68°F							SCALE NONE
							PART NO. OP0325-RT