



if it flows,
we go with it

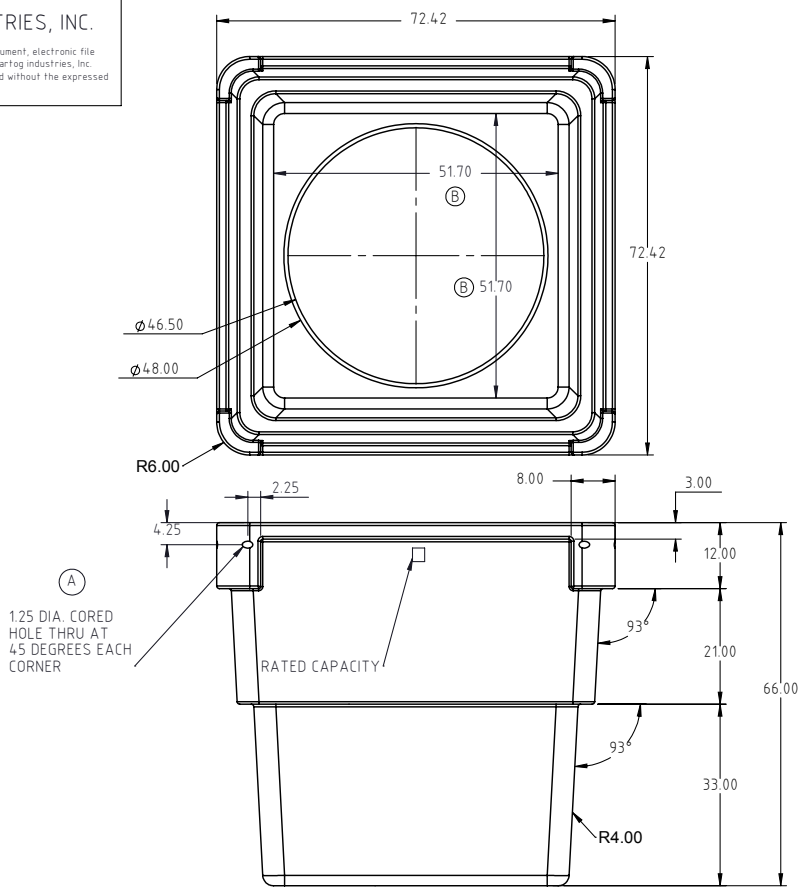
1.800.665.4499
barrplastics.com

© DEN HARTOG INDUSTRIES, INC.

Copyright: All information furnished within this document, electronic file or design correspondence is the property of Den Hartog Industries, Inc. and shall not be used, disclosed to others or copied without the expressed written consent of Den Hartog Industries, Inc.

OP0825-RT

B



STACK 5 HIGH UPSIDE DOWN FOR STORAGE

B		INSIDE BASE DIMENSIONS ADDED	ADH 8/3/09	1902	DRAWN / DATE	ADH 6/25/08	MATERIAL	10538 POWDER.	<p>Den Hartog INDUSTRIES, INC.</p> <p>Ace Roto-Mold Injection Molding Blow Molding Sowjoy</p> <p>4010 HOSPERS DRIVE S. BOX 425, HOSPERS, IOWA 51238-0421</p>
A		ADDED CORNER HOLES	REH 1/5/09	1775	APPRD. / DATE	REH 7/1/08			
REV	DESCRIPTION		BY / DATE	CCN	SHOT WEIGHT: 288 LB.		NOTES:	DESCRIPTION	825 GALLON CONTAINMENT TANK
ALL DIMENSIONS ARE IN DECIMAL INCHES TOLERANCES UNLESS OTHERWISE SPECIFIED		THIRD ANGLE PROJECTION ANSI 14.5M		SHIPPING WEIGHT: 276 LB.		FINISH: BEAD BLAST			
POLYETHYLENE		METAL		DECIMAL ± .125"			FRACTION ± 1/4"		ANGLE ± 1°
±1% @ 68° F									

This document contains proprietary information. It is intended solely for use of potential clients involved or to be involved in a transaction with BARR Plastics Inc. Such proprietary information may not be used, reproduced, or disclosed for any other purpose without the expressed written permission.

© 2019 BARR PLASTICS INC