



if it flows,  
we go with it

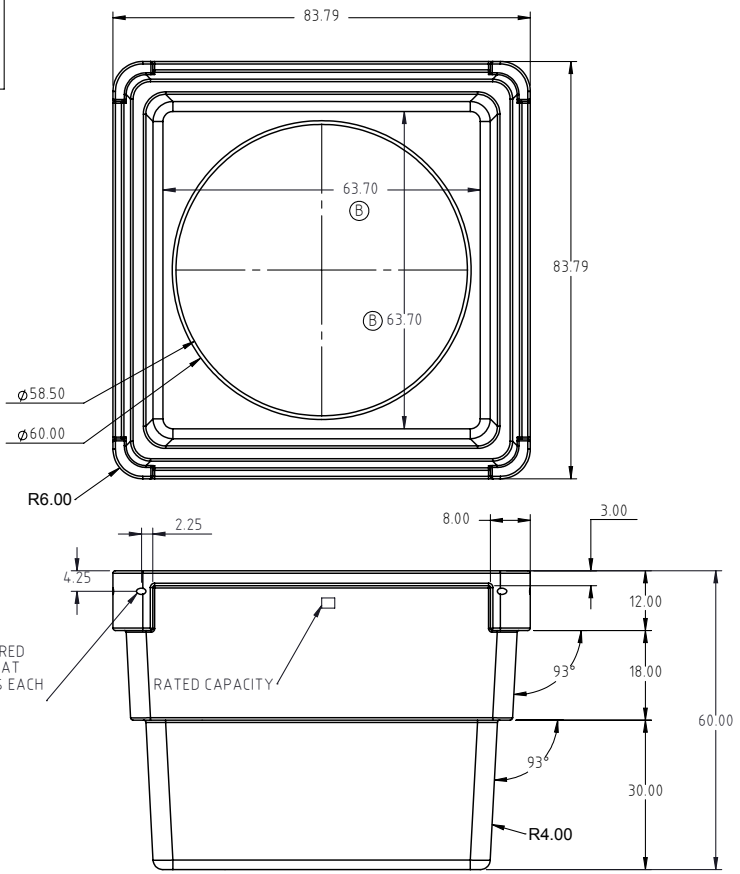
1.800.665.4499  
barrplastics.com

© DEN HARTOG INDUSTRIES, INC.

Copyright: All information furnished within this document, electronic file or design correspondence is the property of Den Hartog Industries, Inc. and shall not be used, disclosed to others or copied without the expressed written consent of Den Hartog Industries, Inc.

OP1325-RT

B



STACK 5 HIGH UPSIDE DOWN FOR STORAGE

B		INSIDE BASE DIMENSIONS ADDED	ADH 8/3/09	1902	DRAWN / DATE	ADH 6/25/08	MATERIAL	10538 POWDER	<p><b>Den Hartog</b> INDUSTRIES, INC.</p> <p>Ace Roto-Mold Injection Molding Blow Molding Sowjoy</p> <p>4010 HOSPERS DRIVE S. BOX 425, HOSPERS, IOWA 51238-0421</p>
A		ADDED CORNER HOLES	REH 1/5/09	1775	APPRD / DATE	REH 7/1/08			
REV	DESCRIPTION		BY / DATE	CCN	NOTES:		DESCRIPTION	1325 GALLON CONTAINMENT TANK	
POLYETHYLENE		METAL	THIRD ANGLE PROJECTION		SHOT WEIGHT: 375 LB.		SCALE	N.S.	
±1% @ 68° F		DECIMAL ± .125"	ANSI 14.5M		SHIPPING WEIGHT: 360 LB.		PART NO.	OP1325-RT	
		FRACTION ± 1/4"			FINISH: BEAD BLAST		NOTES: 1. NATURAL COLOR STD. 2. .425 WALL THICKNESS		
		ANGLE ± 1°							

This document contains proprietary information. It is intended solely for use of potential clients involved or to be involved in a transaction with BARR Plastics Inc. Such proprietary information may not be used, reproduced, or disclosed for any other purpose without the expressed written permission.

© 2019 BARR PLASTICS INC