



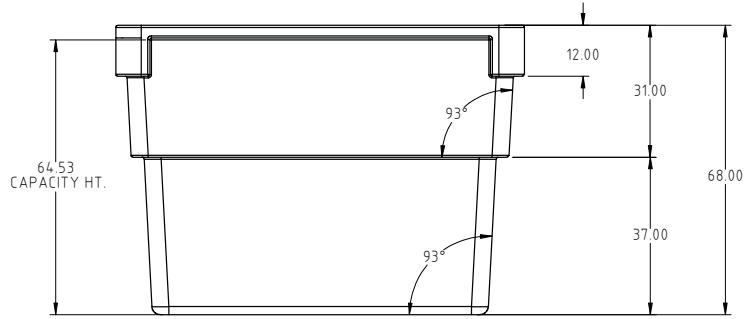
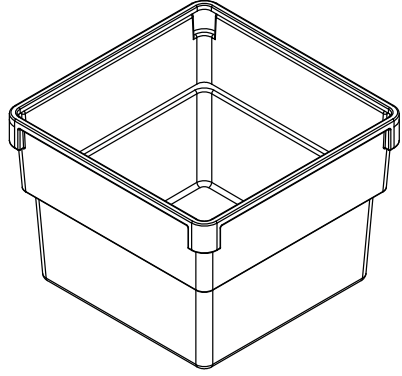
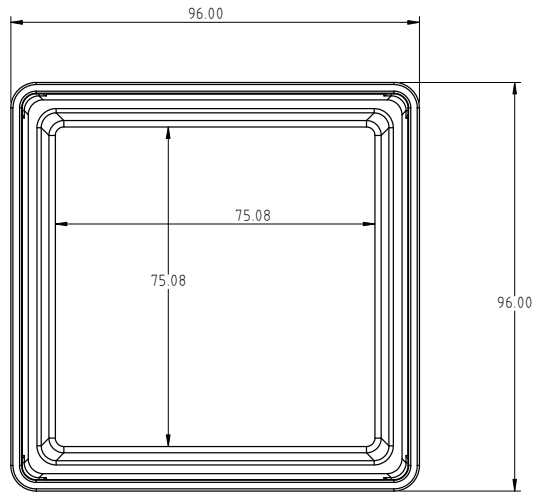
if it flows,
we go with it

1.800.665.4499
barrplastics.com

© DEN HARTOG INDUSTRIES, INC.

Copyright: All information furnished within this document, electronic file or design correspondence is the property of Den Hartog Industries, Inc. and shall not be used, disclosed to others or copied without the expressed written consent of Den Hartog Industries, Inc.

OP2000-RT



STACK 3 HIGH UPSIDE DOWN FOR STORAGE

REV		DESCRIPTION	BY / DATE	CCN	DRAWN / DATE REH // 6/15/10	MATERIAL 10538 POWDER	 Den Hartog INDUSTRIES, INC. <small>Acu Roto-Mold Injection Molding Blow Molding Sowjey</small> 4010 HOSPERS DRIVE S. BOX 425, HOSPERS, IOWA 51238-0421
APPRD. / DATE DHJ 12/16/10		ALL DIMENSIONS ARE IN DECIMAL INCHES TOLERANCES UNLESS OTHERWISE SPECIFIED		THIRD ANGLE PROJECTION ANSI 14.5M	SHOT WEIGHT: 632 LBS.	NOTES: 1. NATURAL COLOR STD. 2. NOMINAL WALL = .500	
POLYETHYLENE ±1% @ 68°F		METAL DECIMAL ± .125" FRACTION ± 1/4" ANGLE ± 1°			SHIPPING WEIGHT: 570 LBS.	DESCRIPTION 2000 GALLON CONTAINMENT TANK	SCALE N.S. PART NO. OP2000-RT
					FINISH: BEAD BLAST		