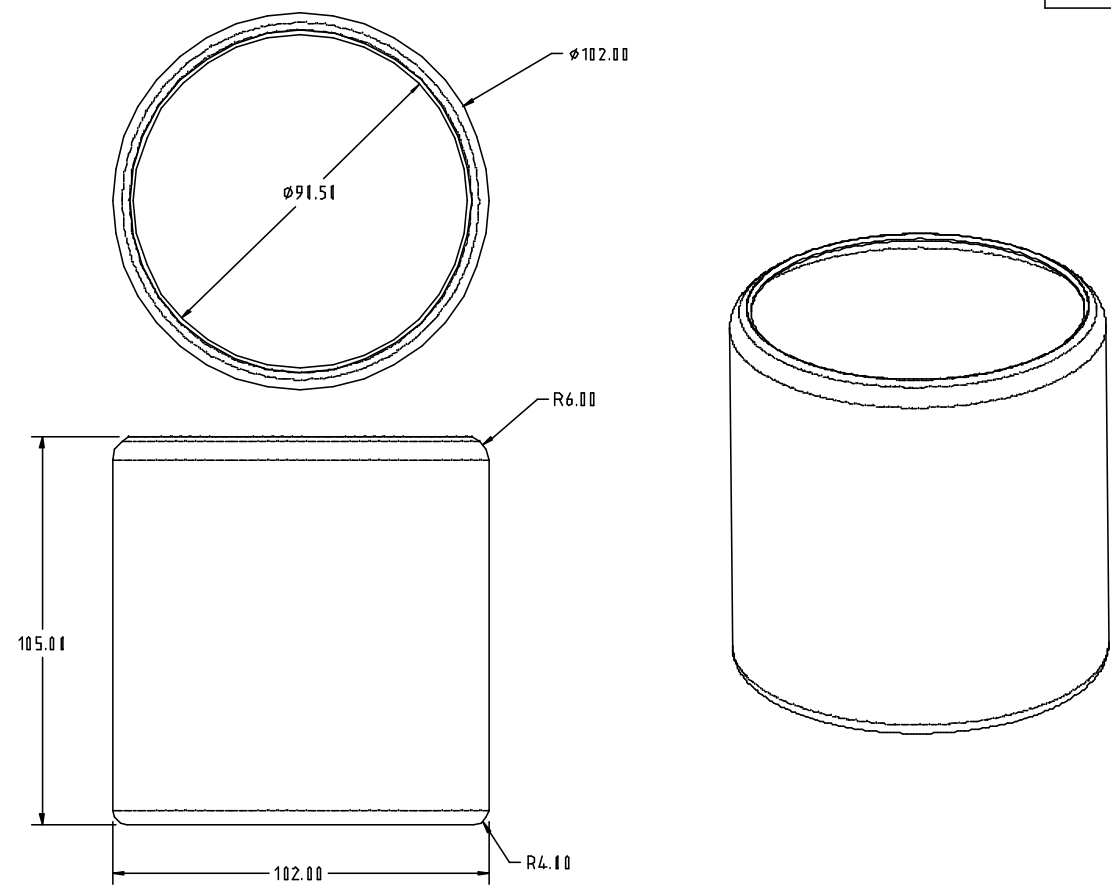





if it flows,
we go with it

1.800.665.4499
barrplastics.com

OP3300-102



				DRAWN / DATE REH/12/29/13		8660 X 550 LB.		 Ace Roto-Mold A DIVISION OF DEN HARTOG INDUSTRIES, INC.	
				APPRD. / DATE REH/12/29/13					
REV	DESCRIPTION	DATE	APPRD.			CLIENT / DESCRIPTION 3300 OPEN TOP VERTICAL TANK			
ALL DIMENSIONS ARE IN DECIMAL INCHES TOLERANCES UNLESS OTHERWISE SPECIFIED $\pm .5\%$ @ 68° F				THIRD ANGLE PROJECTION ANSI #1				SCALE N.S.	PART NO. OP3300-102