



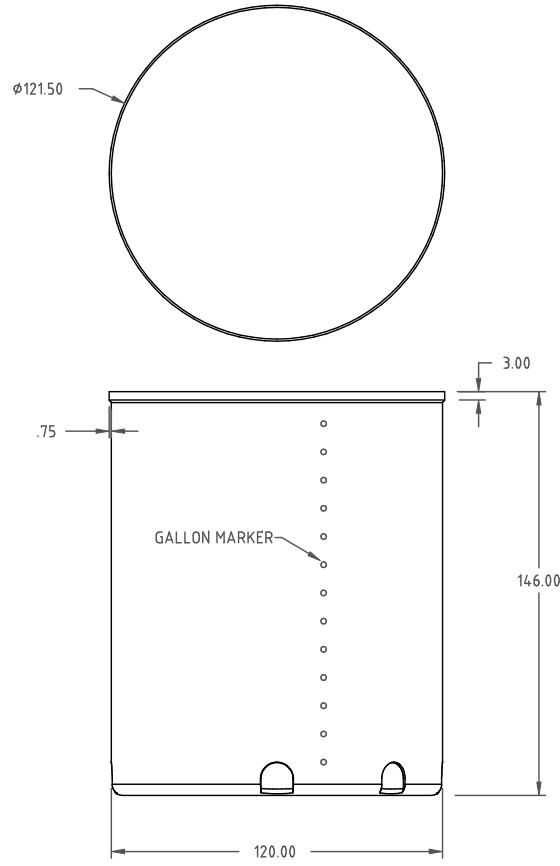
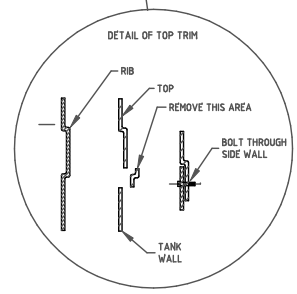
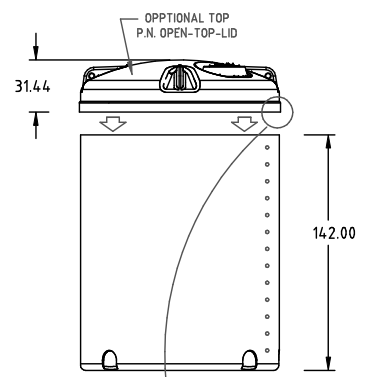
if it flows,
we go with it

1.800.665.4499
barrplastics.com

PROPRIETARY DATA
INFORMATION FURNISHED HEREIN IS THE PROPERTY OF DEN HARTOG INDUSTRIES INC. AND SHALL NOT BE USED, DISCLOSED TO OTHERS, OR COPIED WITHOUT EXPRESSED WRITTEN CONSENT OF DEN HARTOG IND. ALL RIGHTS RESERVED.

OP6800-120 A

TANK TOP OPTION
TANK MAY BE CONVERTED FOR A BOLT- ON TOP. CUT TANK AS SHOWN. TANK CAN THEN BE USED IN APPLICATIONS REQUIRING A REMOVEABLE TOP.



			DRAWN /DATE DHJ 5/22/08	MATERIAL	 A DIVISION OF DEN HARTOG INDUSTRIES, INC. 4010 HOSPERS DRIVE SOUTH, BOX 425, HOSPERS, IOWA 51238
A	REDRAWN TO CLARIFY TOP OPTION	DHJ / 6/12/08	1678	HDPE OR EQUIVALENT REFERENCE MATERIAL DATA SHEET FOR SPECIFIC PROPERTIES	
REV	DESCRIPTION	DATE	APPRD. /DATE REH 6/12/08	CCN	CLIENT / DESCRIPTION
ALL DIMENSIONS ARE IN DECIMAL INCHES TOLERANCES UNLESS OTHERWISE SPECIFIED			THIRD ANGLE PROJECTION ANSI 14.5M		6800 GALLON OPEN TOP
$\pm 1 \% @ 68^{\circ}F$					SCALE NONE
			NOTES: 1. 1.00 THICK AT FLATS 2. WEIGHT WITH TOP 1900 LBS. 3. WEIGHT NO TOP 1525 LBS.		PART NO. OP6800-120