



if it flows,
we go with it

1.800.665.4499
barrplastics.com

Saeplast D327

Reusable container for material handling

Data

Dimensions (Inches, ± 2%)	Size (± 2%)
Length: 48.1 in	Weight: 117 lb
Width: 42.0 in	Volume: 167 gal
Height: 34.5 in	
OPT Drainholes: 0 - 1	
R-Value (m ² K/W)*: With Lid: N/A Without Lid: N/A	
All buttress thread for drainholes are Ø2-1/4"	

Material

External: Linear Low Density Polyethylene (LLDPE)

Internal: Closed Cell Expanded Polyethylene

Stacking and Hoisting

Laterally Restrained Stack:

N/A

Supported Stack:

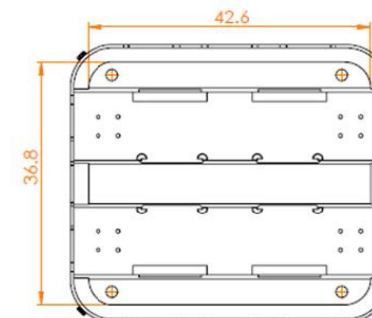
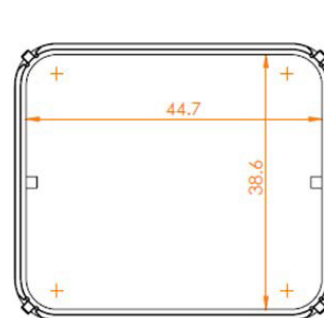
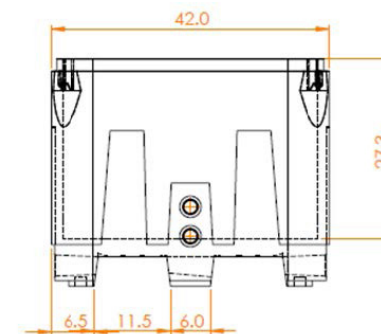
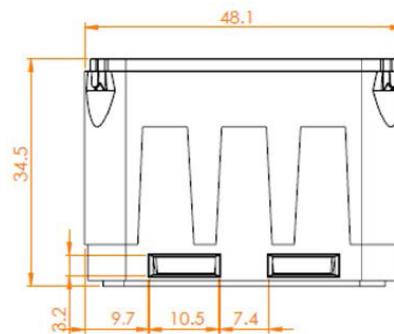
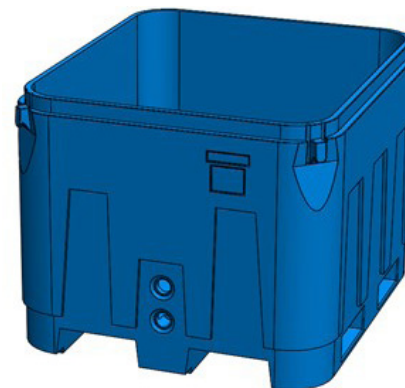
N/A

Stacks with Following Products:

N/A

Hoisting:

Maximum Weight of Tub Stack including Tub Contents During Hoisting: TBD



*Assuming indoor storage, measured according to Burgess, G 1999. Practical thermal resistance and ice requirement calculations for insulating packages. Packing Technology and Science 12, 75-80