



if it flows,  
we go with it

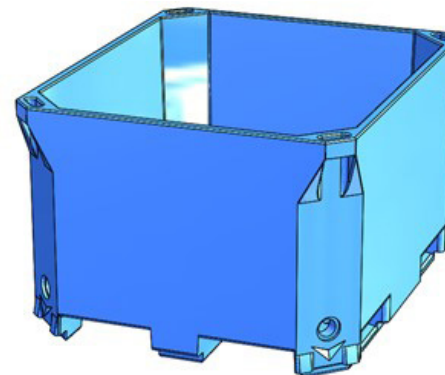
1.800.665.4499  
barrplastics.com

## Saeplast D660

Reusable container for material handling

### Data

Dimensions (Inches, ± 2%)	Size (± 2%)
Length: 48.4 in	Weight: 103 lb
Width: 40.6 in	Volume: 141 gal
Height: 29.5 in	
OPT Drainholes: 0 - 4	
R-Value (m <sup>2</sup> K/W)*: With Lid: 11.6 Without Lid: N/A	
All buttress thread for drainholes are Ø2-1/4"	



### Material

External: Linear Low Density Polyethylene (LLDPE)

Internal: Closed Cell Expanded Polyethylene

### Stacking and Hoisting

Laterally Restrained Stack:

N/A

Supported Stack:

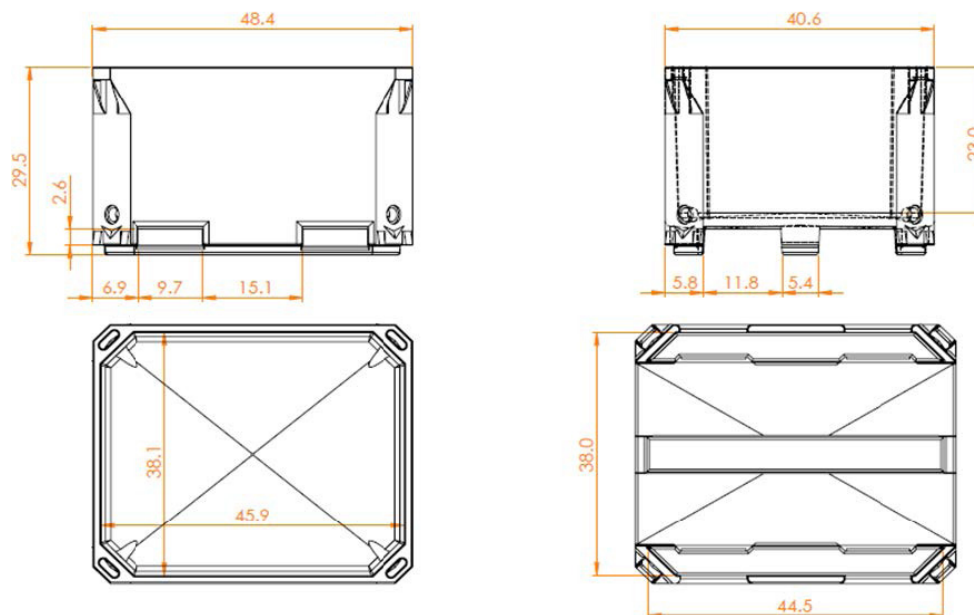
N/A

Stacks with Following Products:

N/A

Hoisting:

Maximum Weight of Tub Stack Including Tub Contents During Hoisting: TBD



\*Assuming indoor storage, measured according to Burgess, G 1999. Practical thermal resistance and ice requirement calculations for insulating packages. Packing Technology and Science 12, 75-80