



if it flows,
we go with it

1.800.665.4499
barrplastics.com

Saeplast DX335

Reusable container for material handling

Data

Dimensions (Inches, ± 2%)	Size (± 2%)
Length: 47.7 in	Weight: 158 lb
Width: 42.7 in	Volume: 220 gal
Height: 45.9 in	
OPT Drainholes: 0 - 1	
R-Value (m ² K/W)*: With Lid: 16.8 Without Lid: N/A	
All buttress thread for drainholes are Ø2-1/4"	

Material

External: Linear Low Density Polyethylene (LLDPE)

Internal: Closed Cell Expanded Polyethylene

Stacking and Hoisting

Laterally Restrained Stack:

N/A

Supported Stack:

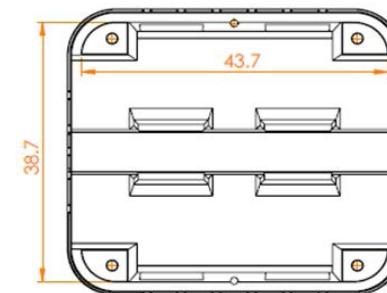
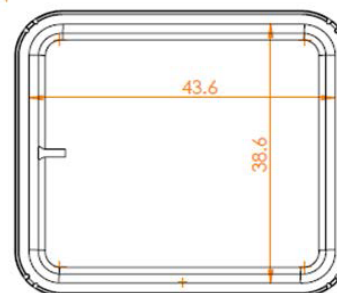
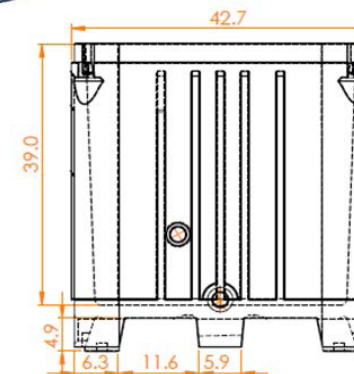
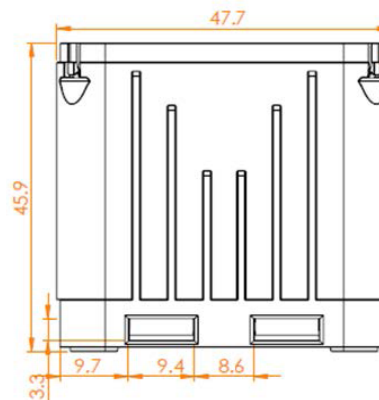
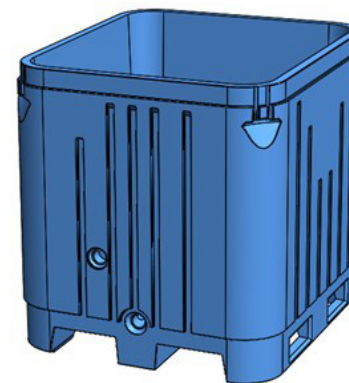
N/A

Stacks with Following Products:

N/A

Hoisting:

Maximum Weight of Tub Stack Including Tub Contents During Hoisting: TBD



*Assuming indoor storage, measured according to Burgess, G 1999. Practical thermal resistance and ice requirement calculations for insulating packages. Packing Technology and Science 12, 75-80

This document contains proprietary information. It is intended solely for use of potential clients involved or to be involved in a transaction with BARR Plastics Inc.

© 2019 BARR PLASTICS INC