



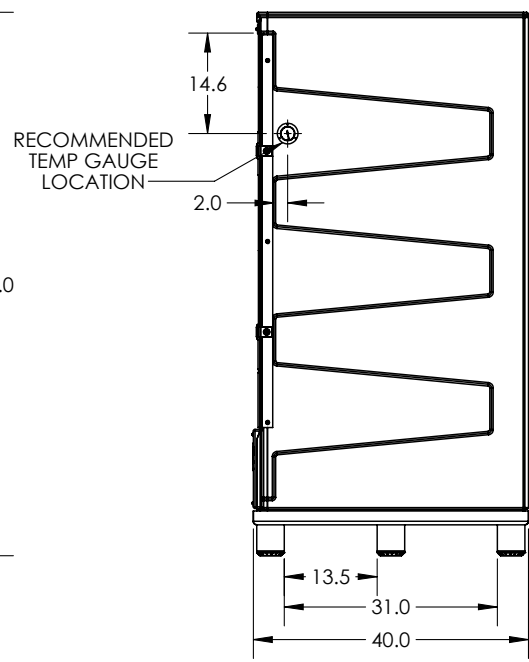
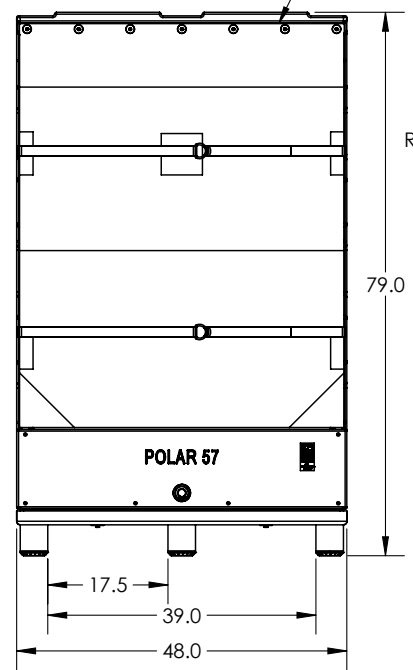
if it flows,
we go with it

1.800.665.4499
barrplastics.com

INTERNAL DIMENSIONS

L = 36.5"
W = 41"
H = 66.5"

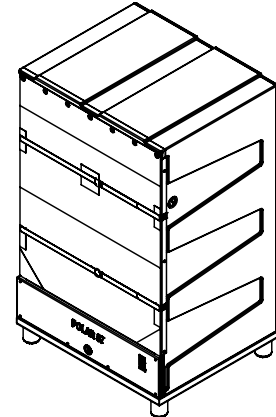
#	DOOR OPTIONS	PART #
<input type="checkbox"/> 1	DOOR w/ SILL	34702641/34702857
<input type="checkbox"/> 2	FULL DOOR	34702864



#	BUNKER OPTIONS	PART #
<input type="checkbox"/> 1	PB57 ICE BUNKER	1931600M

#	BASE OPTIONS	PART #
<input type="checkbox"/> 1	PB55/57 BASE	34702857

	ADDITIONAL OPTIONS	PART #
<input type="checkbox"/>	POLAR TEMPERATURE GAUGE	34702328



ALL DIMENSIONS ARE IN INCHES, NOMINAL, & SUBJECT TO CHANGE WITHOUT NOTICE.
ALL DIMENSIONS ON ROTATIONAL MOLDED PARTS ARE SUBJECT TO A ± 3% TOLERANCE.

DO NOT SCALE	DRAWN BY	BONAR PLASTICS WWW.BONARPLASTICS.COM	TITLE:	REVISION
STATUS: Released	IGG	1005 Atlantic Drive West Chicago, IL 60185 (630)295-0303 www.bonarplastics.com	ASM INSUL BIN PB57	SHEET 1 OF 1
© SNYDER INDUSTRIES INC., 2017			PART NO:	ENG. ID:
			1931900M	A011184