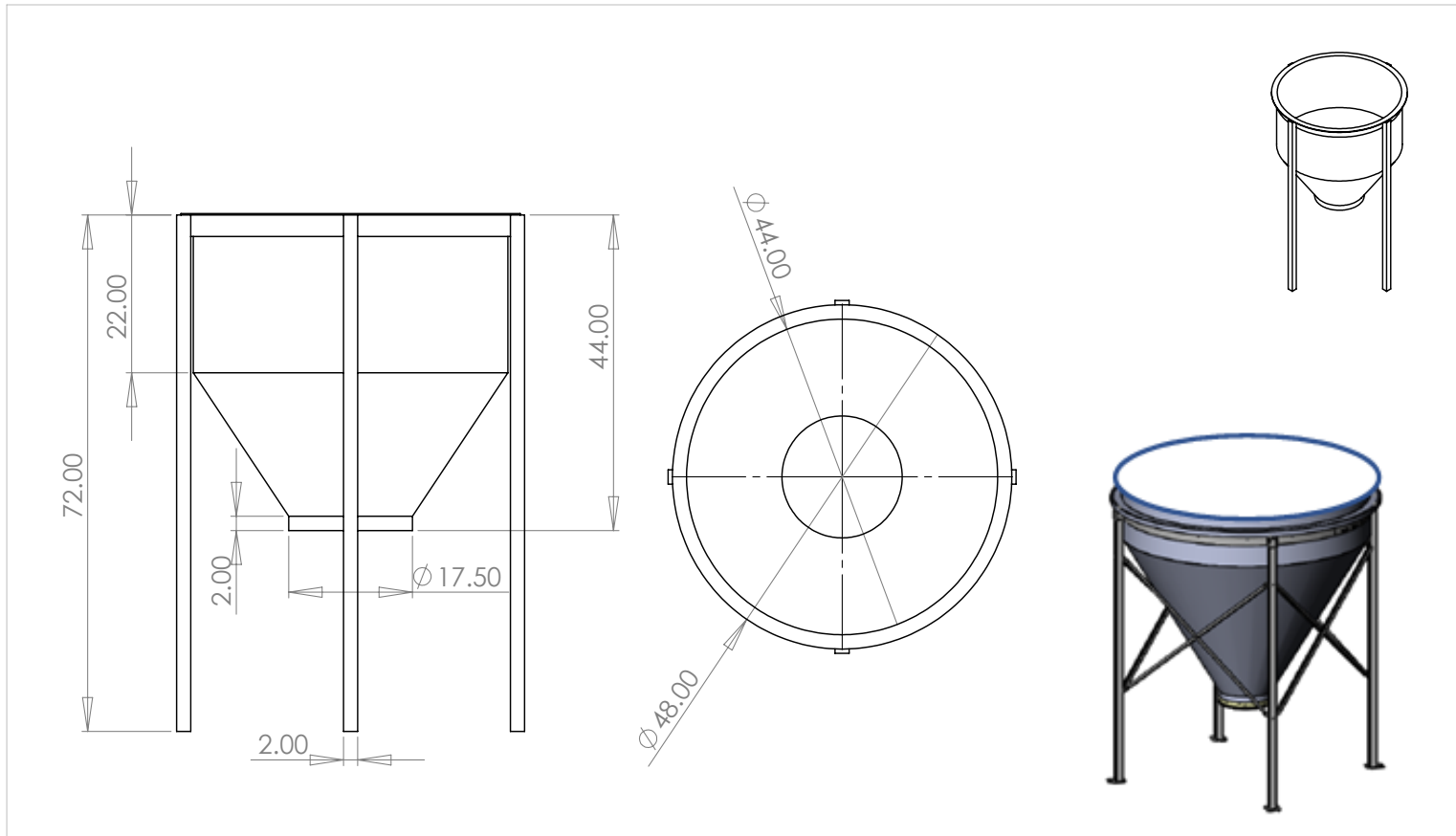




if it flows,  
we go with it

1.800.665.4499  
barrplastics.com



**PROPRIETARY AND CONFIDENTIAL**  
THE INFORMATION CONTAINED IN THIS DRAWING IS THE SOLE PROPERTY OF WESTLAND PLASTICS. ANY REPRODUCTION IN PART OR AS A WHOLE WITHOUT THE WRITTEN PERMISSION OF WESTLAND PLASTICS IS PROHIBITED.

		UNLESS OTHERWISE SPECIFIED:	NAME	DATE		
		DIMENSIONS ARE IN INCHES	DRAWN	BSMM	13/10/21	TITLE:  PL-30 bottom
		TOLERANCES:	CHECKED			
		FRACTIONAL: ±	ENG APPR.			
		ANGULAR: MACH ± BEND ±	MFG APPR.			
		TWO PLACE DECIMAL ±	REVISION			SIZE DWG. NO. REV
		THREE PLACE DECIMAL ±	COMMENTS:			A
		INTERPRET GEOMETRIC TOLERANCING PER:				SCALE: 1:50 WEIGHT: SHEET 1 OF 1
		MATERIAL				
NEXT ASSY	USED ON	FINISH				
APPLICATION		DO NOT SCALE DRAWING				

5 4 3 2 1