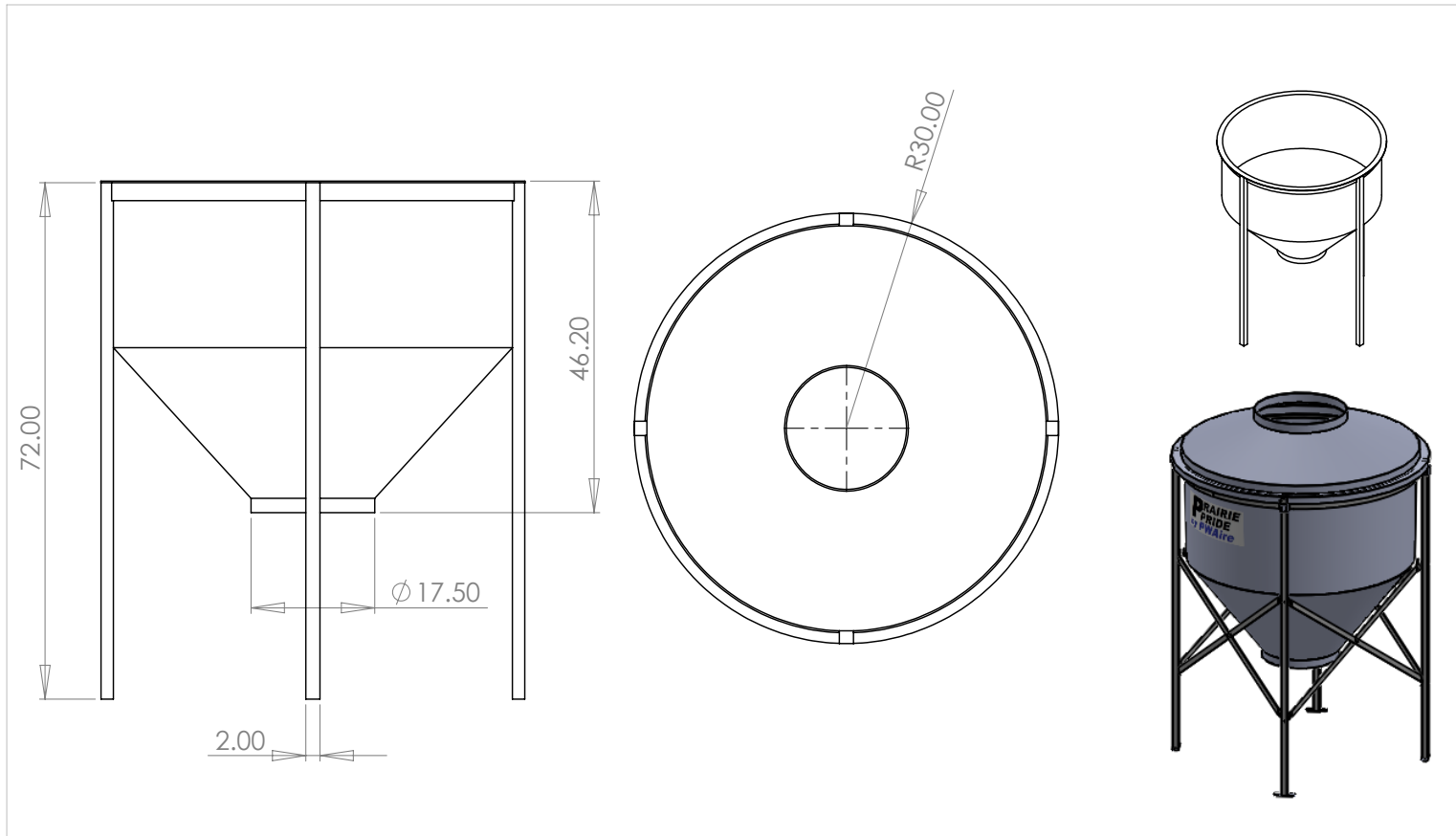




if it flows,
we go with it

1.800.665.4499
barrplastics.com



PROPRIETARY AND CONFIDENTIAL
THE INFORMATION CONTAINED IN THIS DRAWING IS THE SOLE PROPERTY OF WESTLAND PLASTICS. ANY REPRODUCTION IN PART OR AS A WHOLE WITHOUT THE WRITTEN PERMISSION OF WESTLAND PLASTICS IS PROHIBITED.

		UNLESS OTHERWISE SPECIFIED:	NAME	DATE	TITLE: PL-40 bottom	
		DIMENSIONS ARE IN INCHES	DRAWN	BSMM		13/10/21
		TOLERANCES:	CHECKED			
		FRACTIONAL: ±	ENG APPR.			
		ANGULAR: MACH ± BEND ±	MFG APPR.			
		TWO PLACE DECIMAL ±	REVISION			
		THREE PLACE DECIMAL ±	COMMENTS:			
		INTERPRET GEOMETRIC TOLERANCING PER:				
		MATERIAL			SIZE DWG. NO. REV	
		FINISH			A	
NEXT ASSY	USED ON				SCALE: 1:50 WEIGHT: SHEET 1 OF 1	
APPLICATION		DO NOT SCALE DRAWING				

5 4 3 2 1