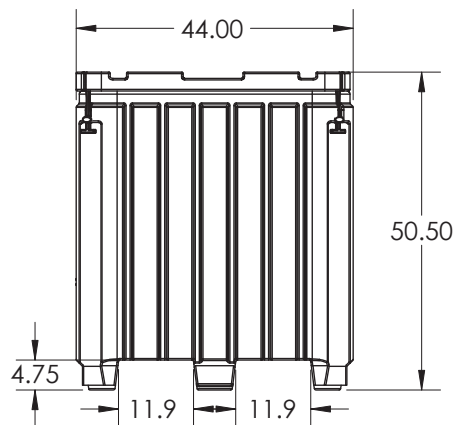
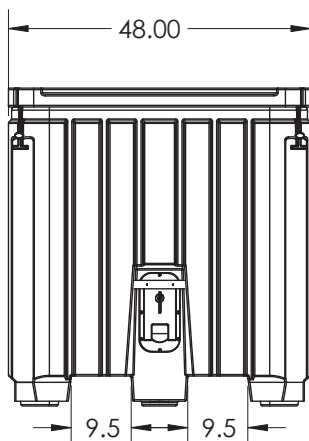
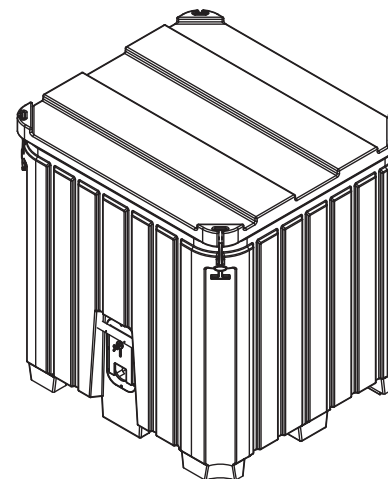
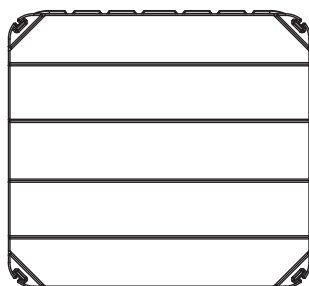




if it flows,
we go with it

1.800.665.4499
barrplastics.com



ALL DIMENSIONS ARE IN INCHES, NOMINAL, & SUBJECT TO CHANGE WITHOUT NOTICE.
ALL DIMENSIONS ON ROTATIONAL MOLDED PARTS ARE SUBJECT TO A \pm 3% TOLERANCE.

DO NOT SCALE		DRAWN BY	DATE	 www.bonarplastics.com	TITLE: ASM BIB 1645 CMPLT MLD BASE	REVISION
STATUS:	Released	ibuchholz	12/11/2012			A
© SNYDER INDUSTRIES INC., 2013				1005 Atlantic Drive West Chicago, IL 60185 (630)295-0303 www.bonarplastics.com	PART NO. 1018600M-SALES	ENG. ID. 1018600M-SALES
					SHEET	1 OF 1