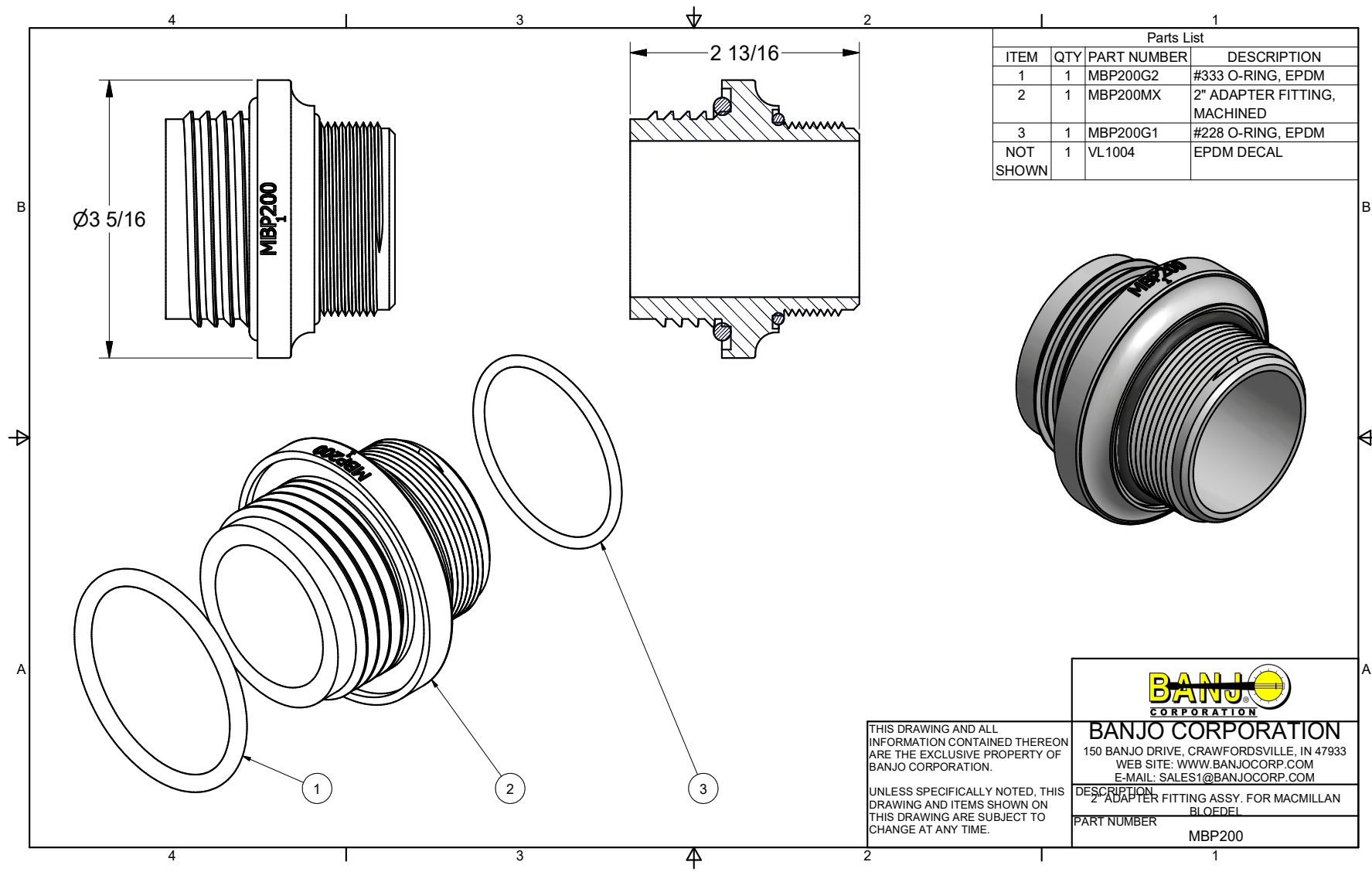




if it flows,
we go with it

1.800.665.4499
barrplastics.com



Parts List			
ITEM	QTY	PART NUMBER	DESCRIPTION
1	1	MBP200G2	#333 O-RING, EPDM
2	1	MBP200MX	2" ADAPTER FITTING, MACHINED
3	1	MBP200G1	#228 O-RING, EPDM
NOT SHOWN	1	VL1004	EPDM DECAL

THIS DRAWING AND ALL INFORMATION CONTAINED THEREON ARE THE EXCLUSIVE PROPERTY OF BANJO CORPORATION.

UNLESS SPECIFICALLY NOTED, THIS DRAWING AND ITEMS SHOWN ON THIS DRAWING ARE SUBJECT TO CHANGE AT ANY TIME.

BANJO CORPORATION

BANJO CORPORATION
150 BANJO DRIVE, CRAWFORDSVILLE, IN 47933
WEB SITE: WWW.BANJOCORP.COM
E-MAIL: SALES1@BANJOCORP.COM

DESCRIPTION	2" ADAPTER FITTING ASSY. FOR MACMILLAN BLOEDEL
PART NUMBER	MBP200